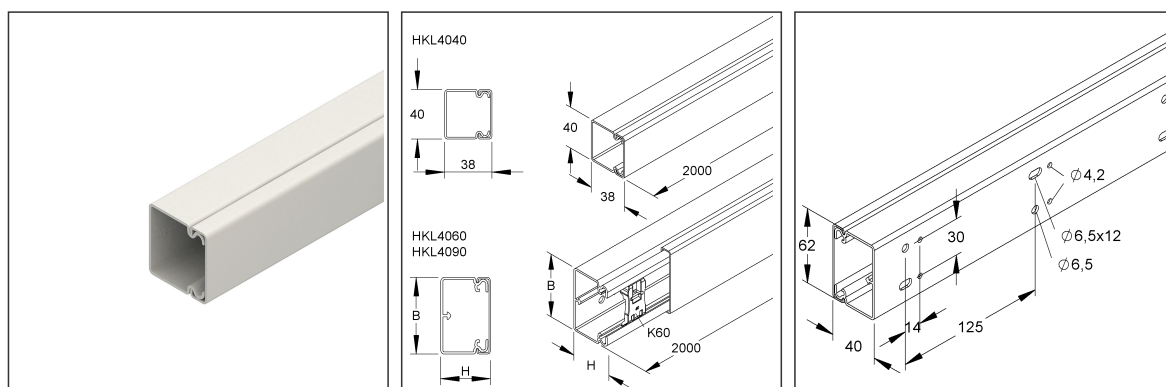


## Cable Protection Duct

with perforated bottom, incl. cover without barrier wall

**HKL4060.8**

EAN Code: 4011126347227



### Article Description

HKL-cable protection duct, with bottom perforation, 40x62x2000 mm, Kunststoff PVC-hart, RAL 7035, lichtgrau, inkl. Zubehör

### Incl. accessories

4 x K60

### Additional Price Information

Article group	K640
---------------	------

### Weight

Weight per quantity unit	617 g
Weight in kg per 100	62 kg

# Technical Datasheet

## Cable routing duct

HKL4060.8

### Physical Article Dimensions

Height	62.00 mm
Width	40.00 mm
Depth/length	2000 mm

### Packing Dimension

<b>2 meters = 1 piece</b>		✓ VP1-smallest packaging unit ( PU)			
Lenght	2000 mm	Width	40.00 mm	Height	62.00 mm
Gross weight	1,23 kg	Volume	0,005 m <sup>3</sup>		
Min. quantity	2	Max. Quantity	2		
<b>24 meters = 1</b>		✓ VP2-preferred PU			
Lenght	2010 mm	Width	200.00 mm	Height	170.00 mm
Gross weight	16 kg	Volume	0,068 m <sup>3</sup>		
Min. Quantity	24.00	Max. Quantity	24.00		
<b>480 meters = 1 rack</b>					
Lenght	2090 mm	Width	1055 mm	Height	1090 mm
Gross weight	400 kg	Volume	2,403 m <sup>3</sup>		
Min. Quantity	480.00	Max. Quantity	480.00		

### Tender Text

Electrical installation trunking, with cover and double-row, alternating fixing holes in the base, without barrier wall, mounting profile in the base for a barrier wall, including 2 retaining clips K... each 2 m delivery length, halogen-containing.

VDE certified!

Retaining clips : 2 x K60

Dimensions (approx. dimensions) H x W : 40 x 62 mm

double row floor perforation : Ø 6,5 x 12 mm, Ø 6,5 mm and 2 x Ø 4,2 mm

Bottom hole spacing grid spacing : 125 mm

Row spacing : 30 mm

Delivery length L : 2000 mm

Usable cross-section : 1334 mm<sup>2</sup>

Material : PVC-hard (polyvinyl chloride)

Colour: light grey

RAL : 7035 (similar)

Kleinhuis Model No. : HKL4060.8

EP Material\_\_\_\_\_ EP Wage\_\_\_\_\_

Unit price/metre

### Safety & Environment

REACH Date	17.01.2023
REACH Info	Conformable
RoHS Info	Conformable

# Technical Datasheet

## Cable routing duct

HKL4060.8

### Origin & International Trade

Country of origin	DE
Customs tariff number	39259020

### Related items

#### Cover

Model No.	Description
SVO60.8	Joint cover, width 60 mm, turning over 12,5 mm, plastics ASA, RAL 7035, light grey

#### Barrier strip

Model No.	Description
BTR40	Barrier wall, 25x2000 mm, Kunststoff PVC-hart