

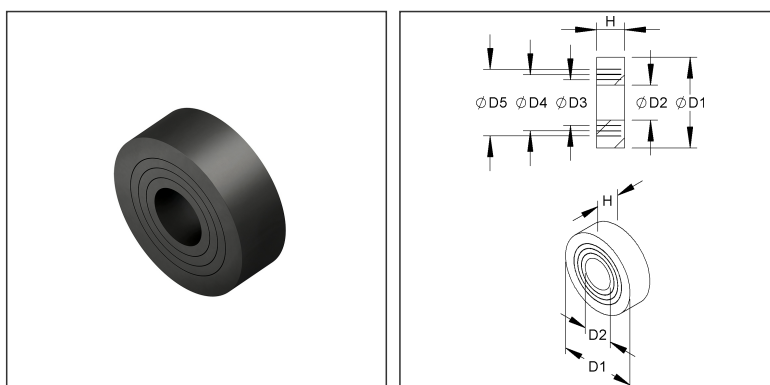
**Sealing Ring, cuttable**

formerly DIN 46320, with red marking stripe

1603/16

EAN Code: 4011126017083  
 Smallest packaging unit: 100 pcs.

the photorealistic images are to be considered as reference images



**Article Description**

Sealing ring, cuttable, for size Pg 16, height 7 mm, elastomer SBR/NBR, colour black

**Additional Price Information**

Article group	K103
quantity unit	pcs.

**Weight**

Weight per quantity unit	3 g / pcs.
Weight in kg per 100	0,24 kg / 100pcs.

# Technical Datasheet

## Sealing rings, accessories

1603/16

the photorealistic images are to be considered as reference images

### Physical Article Dimensions

Height	7.00 mm
Width	20.40 mm
Depth/length	20.40 mm
Diameter	20.40 mm

### Packing Dimension

<b>1 piece = 1 piece</b>		✓ VP1-smallest packaging unit ( PU)			
Lenght	21.00 mm	Width	21.00 mm	Height	7.00 mm
Gross weight	0 kg	Volume	0,000 m <sup>3</sup>		
Min. quantity	1.00 pcs.	Max. Quantity	1.00 pcs.		
<b>100 pieces = 1</b>		✓ VP2-preferred PU			
Lenght	106.00 mm	Width	91.00 mm	Height	52.00 mm
Gross weight	0,29 kg	Volume	0,001 m <sup>3</sup>		
Min. Quantity	100.00 pcs.	Max. Quantity	100.00 pcs.		
<b>1000 pieces = 1 covering box</b>					
Lenght	281 mm	Width	186.00 mm	Height	110.00 mm
Gross weight	2,99 kg	Volume	0,006 m <sup>3</sup>		
Min. Quantity	1.000.00 pcs.	Max. Quantity	1.000.00 pcs.		

### Tender Text

Sealing ring can be cut out according to former DIN 46320, with red marking strip, can be used for CONUS cable glands (except series 1531/...) as well as brass cable glands with Pg and metric female thread on the intermediate connection, halogen-free. Pre-assembly in the cable glands listed below is possible on a quantity basis, VPE and additional price on request. When ordering, please add the suffix "A/S" to the article numbers of the required cable glands, e.g. .../09A/S.

Nominal size : Pg 16

Outer-Ø D1 : 20.4 mm

Inner-Ø D2/D3/D4/D5 : 7.5 / 10 / 12.5 / 15 mm

Height H : 7 mm

Application temperature range : -40° to 100°C

Material : SBR/NBR

Colour : black with red marking stripe

for CONUS cable glands : 1250/.. ..., 1250M..., 1251/..., 1252/..., 1230/..., 1230M..., 1235/..., 250/..., 251/..., 252/..., and brass 927/...

for brass cable glands : 490/..., 490M..., 850/..., 850M..., 530/..., 530M..., 930/..., 930M..., 850ML..., 923/..., 923M..., 924/..., 924M..., 920/..., 920M...

Kleinhuis Model No. : 1603/16

EP Material \_\_\_\_\_ EP Wage \_\_\_\_\_

Unit Price/Piece

# Technical Datasheet

## Sealing rings, accessories

1603/16

the photorealistic images are to be considered as reference images

### Safety & Environment

REACH Date	27.06.2024
REACH Info	Conformable
RoHS Info	Conformable

### Origin & International Trade

Country of origin	DE
Customs tariff number	40169300