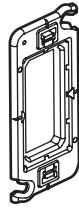
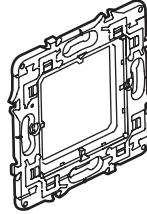


Mosaic™ - Céliane™ Universal support frames

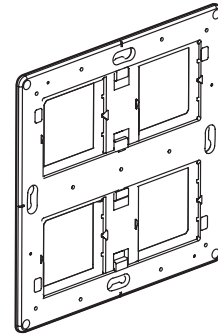
Cat. No(s): 0 802 50/51/52/53/54/59/61/64/66/68/69



0 802 50



0 802 51



0 802 64

1. USE

Universal metal support frames for mounting Mosaic and Celiane mechanisms.

Products delivered with removable spacers.

Fixing with screws.

Fixing with claws for Cat. Nos 0 802 61 and 0 802 69.

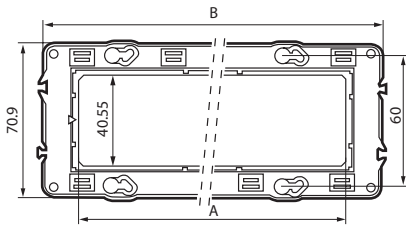
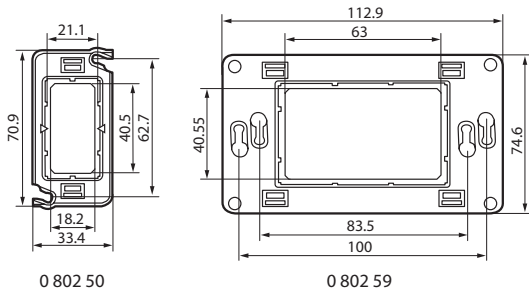
2. RANGE

Cat. Nos	Support frames
0 802 50	1 module
0 802 51	1-gang - 2 modules Universal support frame for mounting on any type of screw box. Can be mounted in multiple positions by combination in vertical and horizontal. Breakable support allowing adaptation on boxes with 57 mm center distance. Compatible with Mosaic Easy-Led indicator.
0 802 61	1-gang - 2 modules with claws (length 27 mm)
0 802 69	1-gang - 2 modules with long claws (length 37 mm)
0 802 59	3 modules
0 802 52	2-gang - 4, 5 or 2 x 2 modules horizontal or vertical
0 802 53	3-gang - 6, 8 or 3 x 2 modules horizontal or vertical
0 802 54	4-gang - 10 or 4 x 2 modules
0 802 64	2 x 2-gang - 2 x 5 or 2 x 2 x 2 modules
0 802 66	2 x 3-gang - 2 x 6, 2 x 8 or 2 x 3 x 2 modules
0 802 68	2 x 10 modules

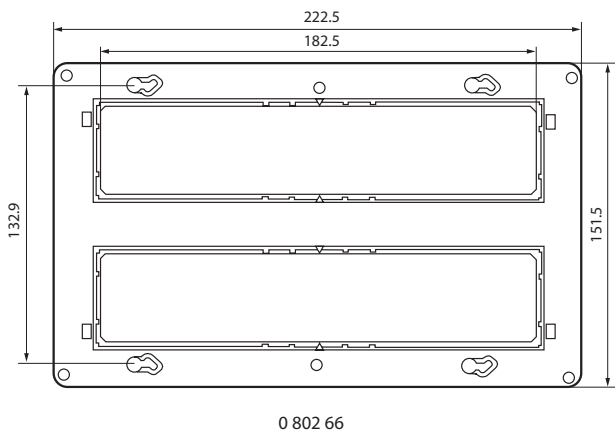
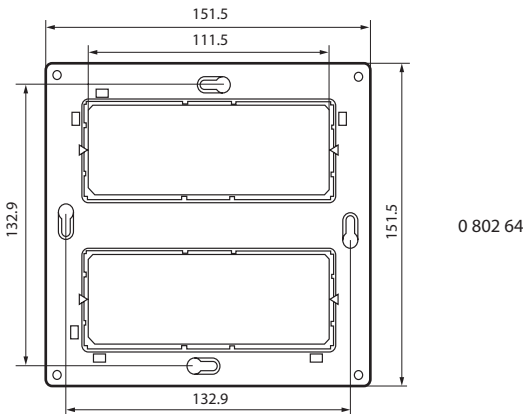
3. UTILISATION FOR MOSAIC

4 modules Remove the spacer Clip the blanking plates 0 791 04 Centre the modules Use plates 0 788 14 - 0 790 14 	2 x 2 modules Use plates 0 788 04 - 0 790 04 0 788 22 - 0 790 22 	5 modules Remove the spacer Centre the modules Use plates 0 788 15 - 0 790 15 0 788 25 - 0 790 25
6 modules Remove the spacer Clip the blanking plates 0 791 06 Centre the modules Use plates 0 788 16 - 0 790 16 	3 x 2 modules Use plates 0 788 06/23 - 0 790 06/23 	5 modules Remove the spacer Centre the modules Use plates 0 788 18 - 0 790 18
10 modules Remove the spacer Clip the blanking plates 0 791 10 Centre the modules Use plates 0 788 10 - 0 790 10 	4 x 2 modules Use plates 0 788 08 - 0 790 08 	
2 x 5 modules Remove the spacer Use plates 0 788 30 - 0 790 30 	2 x 2 x 2 modules Use plates 0 788 38 - 0 790 38 	
2 x 6 modules Remove the spacer Centre the modules Use plates 0 788 36 - 0 790 36 	2 x 3 x 2 modules Use plates 0 790 32 	2 x 8 modules Remove the spacer Centre the modules Use plates 0 788 37 - 0 790 37
Use plates 0 788 28 - 0 790 28 	2 x 10 modules 	

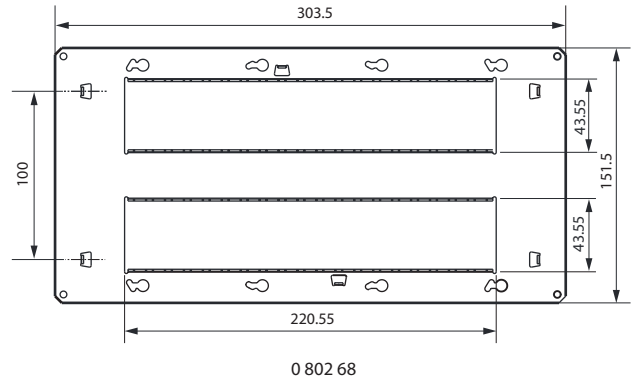
4. DIMENSIONS (mm)



Cat. Nos	A	B
0 802 51/61/69	40.50	74.00
0 802 52	111.55	141.75
0 802 53	182.55	212.75
0 802 54	253.55	283.90



4. DIMENSIONS (mm) (continued)



5. TECHNICAL CHARACTERISTICS

■ 5.1 Material characteristics

Galfan steel + Polyamide 6.6
 Self-extinguishing: 650°C/30 s

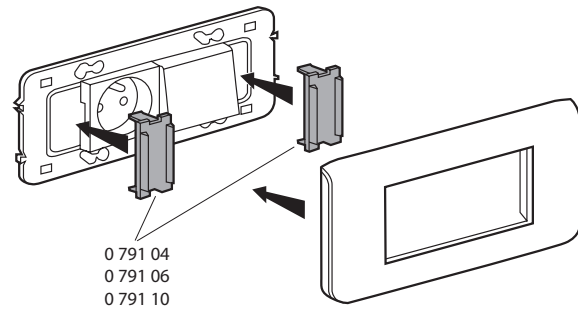
■ 5.2 Climate characteristics

Storage temperature: -10°C to +70°C
 Usage temperature: -5°C to +50°C

6. ACCESSORIES

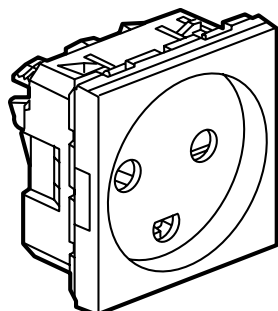
For 2, 3 and 4-gang mechanisms, use the blanking plates for use with 4, 6 and 10 modules.

Plates	Blanking plates
4 modules	0 791 04
6 modules	0 791 06
10 modules	0 791 10

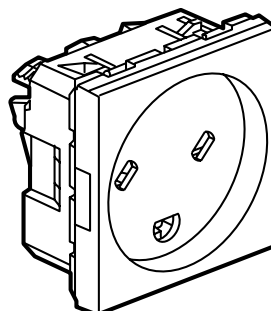


Mosaic™ Dansk standard stikkontakt

Reference(r): 775 08/09



775 08



775 09

1. ANVENDELSE

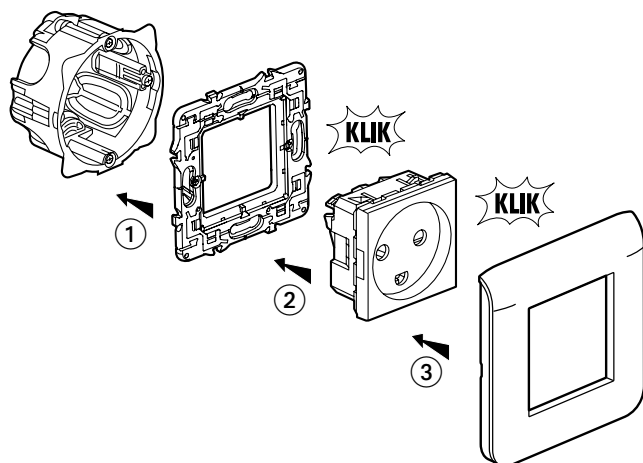
Stikkontakt med dansk standard.

2. UDVALG

	Betegnelse	Referencer	Antal moduler	Fastgørelsesmåde	Vægt (g)	Specifikationer
	Stikkontakt 2P+T dansk standard	775 08	2	med clips	28,2	13 A - 250 VAC
	Stikkontakt 2P+T dansk standard, polariseret	775 09	2	med clips	28,2	13 A - 250 VAC

3. MONTERING

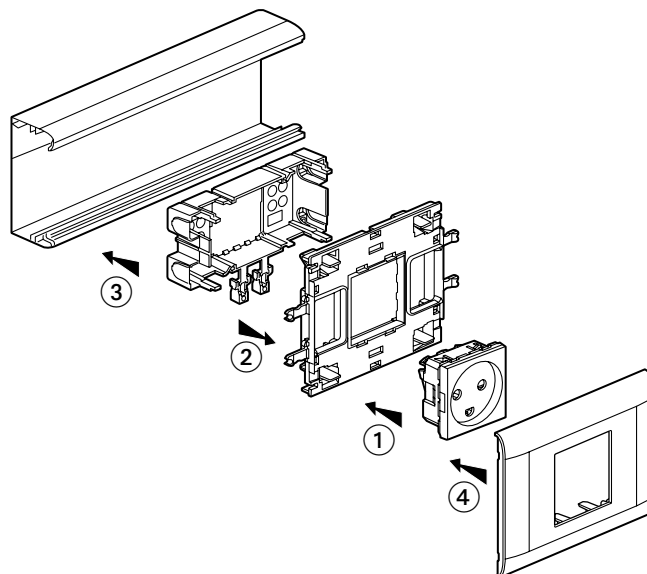
Sammenklipsningen udføres ved at montere dem ind i hinanden i Batibox panelerne.



- 1 - Underlagsrammen skrues fast på underlagsdåsen
- 2 - Selve stikmodulet klipses ind i underlagsrammen.
- 3 - Yderste ramme klipses på underlagsrammen.

3. MONTERING (fortsættelse)

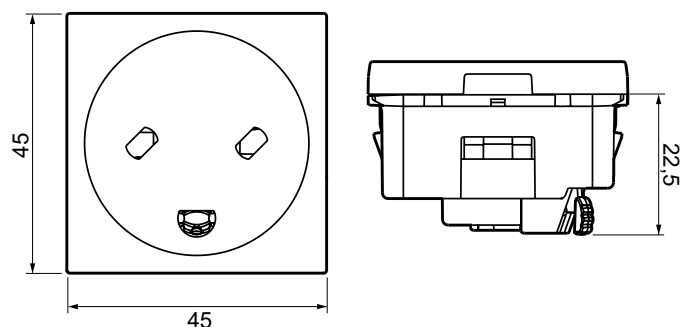
Stikkontaktdele monteres på rende med rammer/krauer ref. 109 92/94/96/98 og isoleringsboks ref. 109 27:



- 1 - Selve stikmodulet klipses på underlagsrammen
- 2 - Isoleringsdåsen samles bagfra
- 3 - Modulet klipses ind i renden
- 4 - Yderste ramme klipses på underlagsrammen

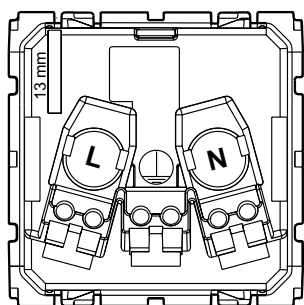
Dansk standard stikkontakt

4. MÅL PÅ ALLE SIDER



5. TILSLUTNING

Type af tilslutningsklemmer: automatiske
 Kapacitet for tilslutningsklemmer: 2 x 2,5 mm²
 Længde for kabelafstripping: 13 mm



6. TEKNISKE SPECIFIKATIONER

6.1 Mekaniske specifikationer

Slagstyrke: IK 04
 Beskyttelse mod faste og flydende stoffer: IP 41

6.2 Materialespecifikationer

Pyntekrave: Polykarbonat (RAL 9003)
 Sokkel: Polykarbonat

6.3 Elektriske specifikationer

Spænding: 250 VAC
 Strømstyrke: 13 A
 Selv-slukning: 650° C / 30 s.

6.4 Klimatiske specifikationer

Opbevaringstemperatur: - 10° C til + 70° C
 Brugstemperatur: - 5° C til + 40° C

7. VEDLIGEHOLDELSE

Overfladen aftørres med en klud.
 Anvend ikke: acetone, tjærerensmiddel, trichlorethylen

7.1 Modstandsdygtighed over for rengøringsmidler

Modstandsdygtighed over for følgende produkter: Heksan (EN 60669-1), denatureret sprit, Sæbevand, fortyndet ammoniak, ren klor fortyndet til 10 %, vinduespudsemidler, imprægnerede rengøringsklude.

7.2 Modstandsdygtighed over for hospitalsrengøringsmidler

Modstandsdygtighed over for følgende produkter: Anios, surfanios, bactily-sine, hydrogenperoxid (35 % brintoverilte).

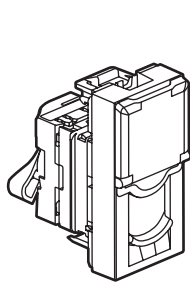
Advarsel: For brug af andre vedligeholdelsesmidler er det nødvendigt at foretage en test.

8. OVERENSSTEMMELSE - GODKENDELSER

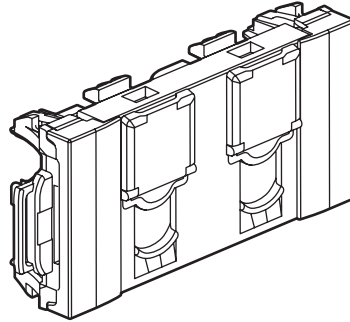
Godkendelse er under behandling: DEMKO

Mosaic™
LCS² Cat. 6 RJ 45 socket

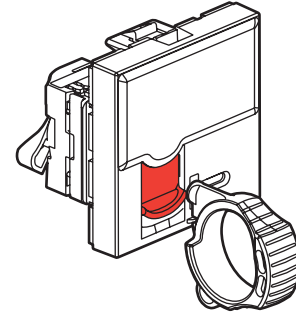
Cat. No(s): 0 765 03/04/05/06/07/22/23/44/46/61/62/63/64
0 765 65/66/81/82/83/91/92/93/94/95
0 791 62L/64L/65L - 0 794 61/61L/62/64/65/81/85/86/92



0 765 61



0 765 44






0 765 94

1. USE

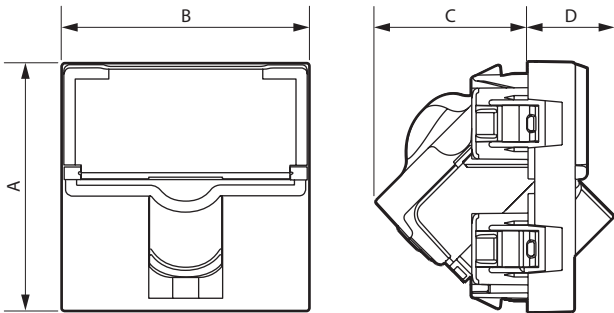
Category 6 RJ 45 socket for high speed transmission (Gigabit Ethernet).
The mechanism can be flush-mounted or surface-mounted in 40 mm depth box min.
To be equipped with frame and plates.
Fixing with clips.

Sockets 0 765 81/82/83: This product is made of silver-ion based antimicrobial* material.
This technology eliminates bacteria, fungi and viruses without creating any immunisation or resistance effects (physical, rather than chemical, destruction).
Particularly suitable for healthcare establishments (hospitals, clinics, nursing homes, laboratories, waiting rooms, etc.) and more generally for areas subject to hygiene restrictions (industrial, shared and restaurant kitchens, waste, etc.).
This product offers an additional way of ensuring the non-proliferation of bacteria, fungi and viruses without interfering with cleaning protocols.

2. RANGE

	Description	White	Aluminium	White antimicrobial*	Mat Black	Black
UTP 	Cat. 6 RJ 45 socket - 1 module	0 765 61	0 794 61	0 765 81	0 794 61L	0 794 81
	Cat. 6 RJ 45 socket - 2 modules	0 765 64	0 794 64	-	0 791 64L	-
	Cat. 6 RJ 45 socket with controlled access- 2 modules - with red shutter	0 765 94	-	-	-	-
	Cat. 6 RJ 45 socket inclined at 90° - 2 modules	0 765 91	-	-	-	-
	Cat. 6 RJ 45 socket inclined at 45° - 2 modules	0 765 03	-	-	-	-
	Cat. 6 2 x RJ 45 socket inclined at 45° - 4 modules	0 765 04	-	-	-	-
	Cat. 6 2 x RJ 45 socket - 4 modules	0 765 44	-	-	-	-
FTP 	Cat. 6 RJ 45 socket - 1 module	0 765 62	0 794 62	0 765 82	0 791 62L	-
	Cat. 6 RJ 45 socket - 2 modules	0 765 65	0 794 65	-	0 791 65L	0 794 85
	Cat. 6 RJ 45 socket - 2 modules - with green shutter	0 765 22	-	-	-	-
	Cat. 6 RJ 45 socket - 2 modules - with orange shutter	0 765 23	-	-	-	-
	Cat. 6 RJ 45 socket inclined at 90° - 2 modules	0 765 92	0 794 92	-	-	-
	Cat. 6 RJ 45 socket inclined at 45° - 2 modules	0 765 05	-	-	-	-
	Cat. 6 RJ 45 socket with controlled access - 2 modules - with red shutter	0 765 95	-	-	-	-
	Cat. 6 2 x RJ 45 socket inclined at 45° - 4 modules	0 765 06	-	-	-	-
	Cat. 6 2 x RJ 45 socket - 4 modules	0 765 46	-	-	-	-
STP 	Cat. 6 RJ 45 socket - 1 module	0 765 63	-	0 765 83	-	-
	Cat. 6 RJ 45 socket - 2 modules	0 765 66	-	-	-	0 794 86
	Cat. 6 RJ 45 socket inclined at 90° - 2 modules	0 765 93	-	-	-	-
	Cat. 6 RJ 45 socket inclined at 45° - 2 modules	0 765 07	-	-	-	-

3. DIMENSIONS (mm)

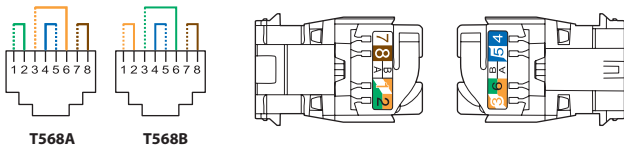


References	A	B	C	D
0 765 61/62/81/82 - 0 791 62L - 0 794 61/62/81	45	22.5	25.5	-
0 765 63/66/83/93 - 0 794 86	45	45	31	-
0 765 03/04/05/06/22/23/44/46 - 0 791 64L/65L	45	45	25.5	-
0 765 64/65/91/92/94/95 - 0 794 64/65/85/92	45	45	25.5	-
0 765 07	45	45	27.5	16

4. CONNECTION

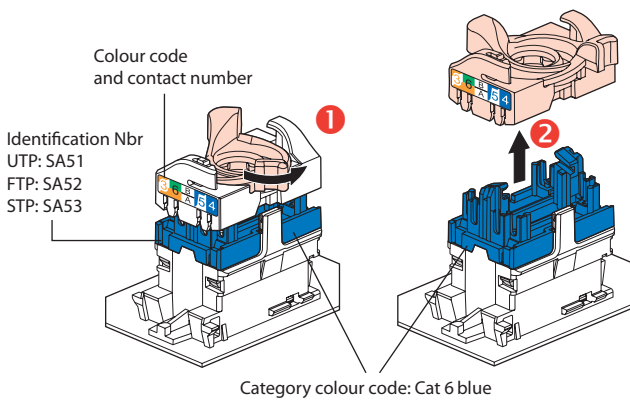
Accepts the following cable connectors:
RJ 11 (4 contacts), RJ 12 (6 contacts), RJ 45 (9 contacts).

Double colour code T568A and T568B on terminals:
UTP 8 contacts
FTP 9 contacts
STP 9 contacts 360° screen



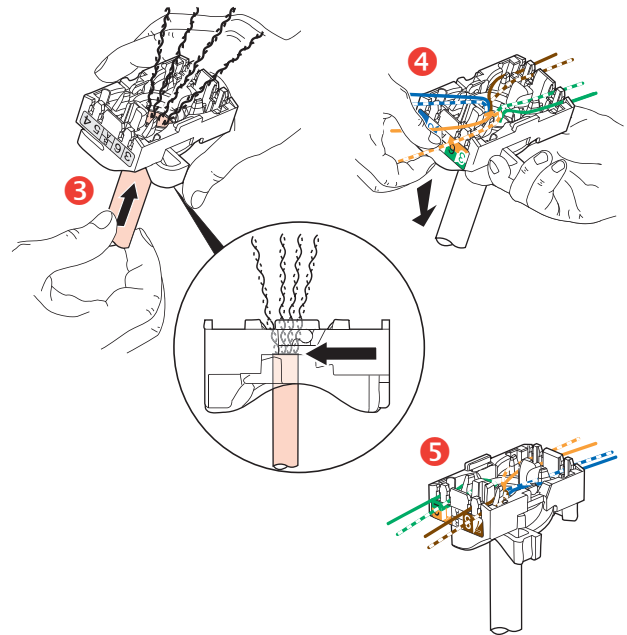
Conductors supported:
- Solid/stranded: 0.4 to 0.65 mm, AWG 26 to 22
- Polyethylene conductor insulation: Ø 0.85 to 1.7 mm on insulation

RJ 45 connectors are equipped with a locking nut that does not require the use of a specific tool and which enables re-cabling in the event of error.



4. CONNECTION (continued)

This system allows the wire pairs to be spread easily before mounting them on the connector.

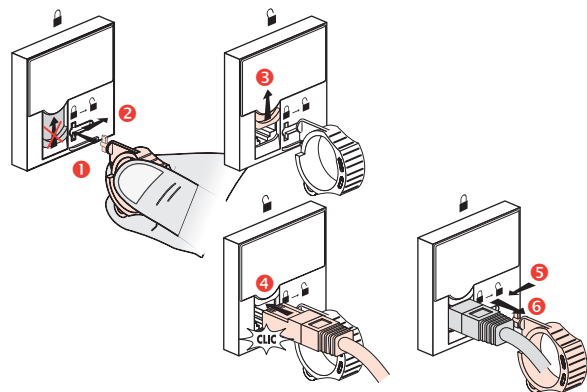


Spreading cables ensures that each pair is separated by the specified 13 mm.

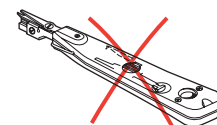
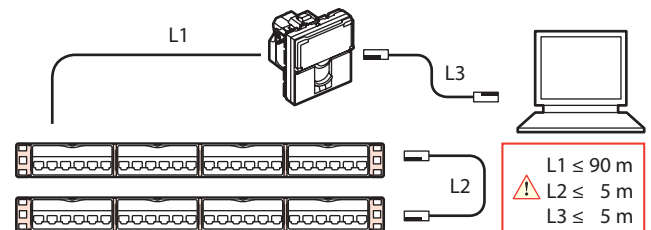
Spreading pairs by 90° in relation to the cable ensures optimum performance.

5. FUNCTION

Operation 0 765 94/95



Installation



6. TECHNICAL CHARACTERISTICS

■ 6.1 Mechanical characteristics

Impact resistance: IK 03

IK 04 (1 module)

Penetration against solid bodies and liquids: IP 20

Max. number of connections and disconnections: 5 without refreshing the wiring.

Endurance: 2500 movements (plug insertion/withdrawal).

■ 6.2 Material characteristics

Contacts: Gold/nickel, minimum thickness of gold > 0.8 µm

Metal parts: Bronze, nickel, platinum, gold

For STP products the body and the spreader are made of metal alloy with a copper-nickel coating.

Base: Polycarbonate

Cover plate: Polycarbonate

Polycarbonate with antimicrobial* treatment for Cat. Nos 0 765 81/82/83.

Halogen-free

UV-resistant

Self-extinguishing:

850°C/30 s for insulating components holding live parts in place

650°C/30 s for other insulating components

■ 6.3 Electrical characteristics

Breakdown voltage ≥ 1000 V

Contact resistance ≤ 20 mΩ

Insulation resistance ≥ 500 mΩ at 100 Vdc

Tested and independently certified to comply with IEC 60512-99-001 and IEC 60512-99-002 for PoE support up to 90 W (Type 4).

■ 6.4 Climate characteristics

Storage temperature: - 10°C to + 70°C

Operating temperature: - 10°C to + 60°C

7. CLEANING

Clean the surface with a cloth.

Do not use acetone, tar-removing cleaning agents or trichloroethylene.

■ 7.1 Resistance to cleaning products

Resistant to the following products: hexane (NF C 61-314), methylated spirit, soapy water, diluted ammonia, bleach diluted to 10%, window-cleaning products, pre-impregnated wipes.

■ 7.2 Resistance to hospital grade cleaning products

Resistant to the following products: Anios, Surfianos, Bactilycine, diluted hydrogen peroxide (35%).

Caution: Always test before using other special cleaning products.

8. STANDARDS AND APPROVALS

ISO/IEC 11801 series : International standard for generic cabling for customer premises

ANSI/TIA 568 series : North American standard for generic cabling for customer premises

EN 50173 series : European standard for generic cabling for customer premises

IEC 60603-7 series : International standard for connector specifications

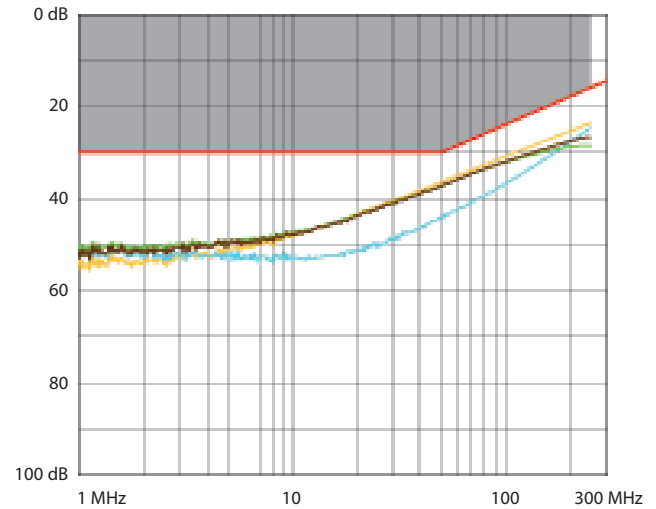
Connectors are compliant to requirements for the following remote powering applications

IEEE 802.3af, IEEE 802.3at, IEEE 802.3bt : "Power over Ethernet", Types 1 to 4, up to 90 W.

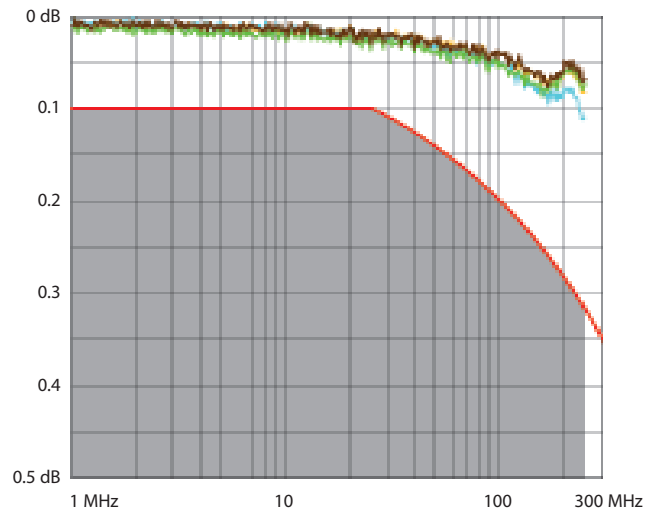
9. PERFORMANCE

■ 9.1 Component performance (RJ 45 connectors)

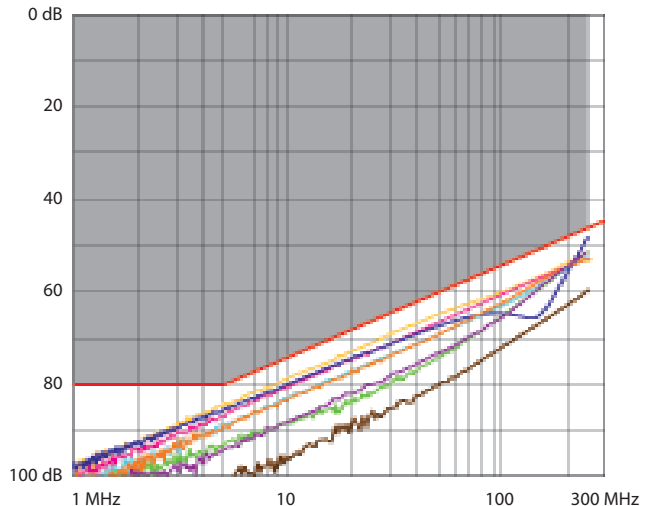
Return loss



Attenuation

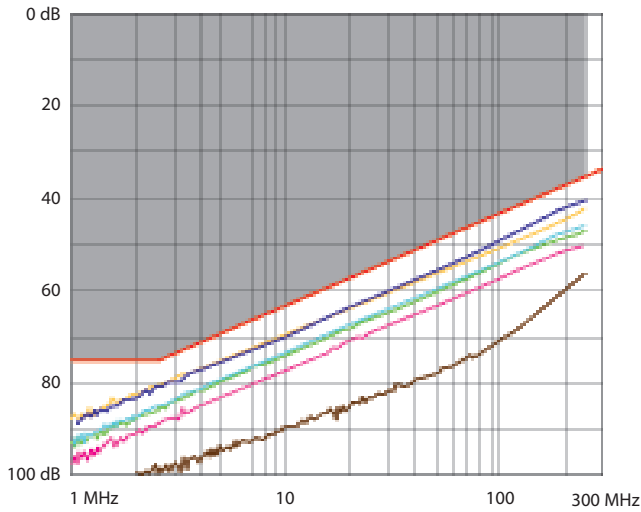


NEXT (Near end Crosstalk Attenuation)

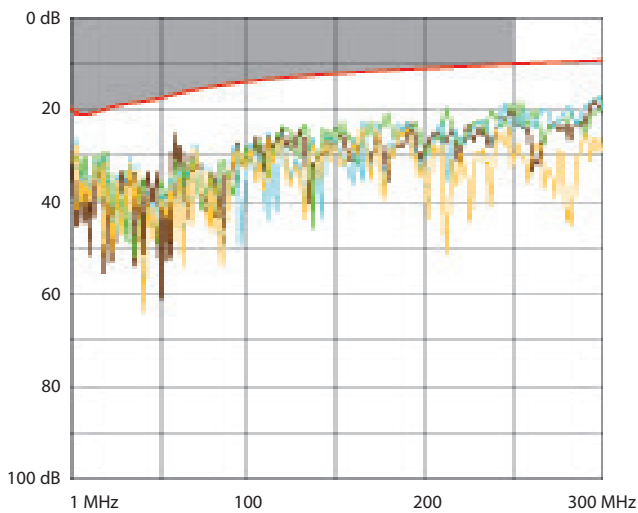


9. PERFORMANCE (Cont.)

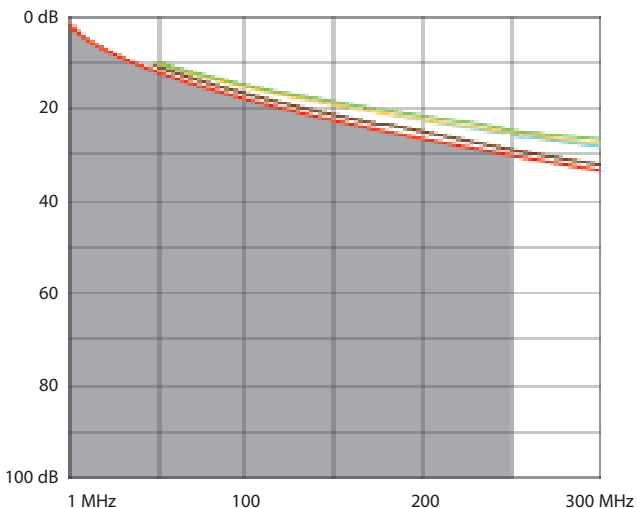
■ 9.1 Component performance (RJ 45 connectors) (cont.)
FEXT (Far end Crosstalk Attenuation)



■ 9.2 Performance of permanent link with F/UTP cable
Return loss

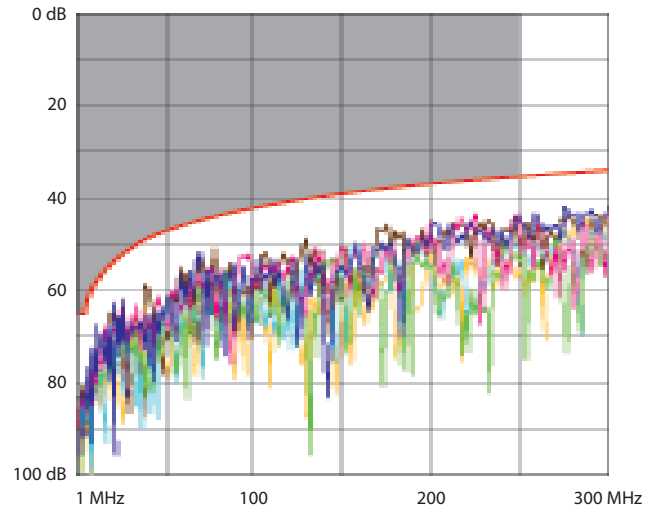


Attenuation

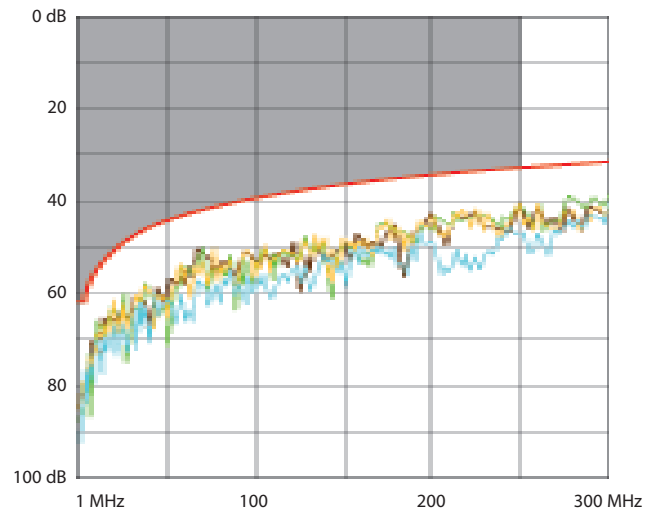


9. PERFORMANCE (Cont.)

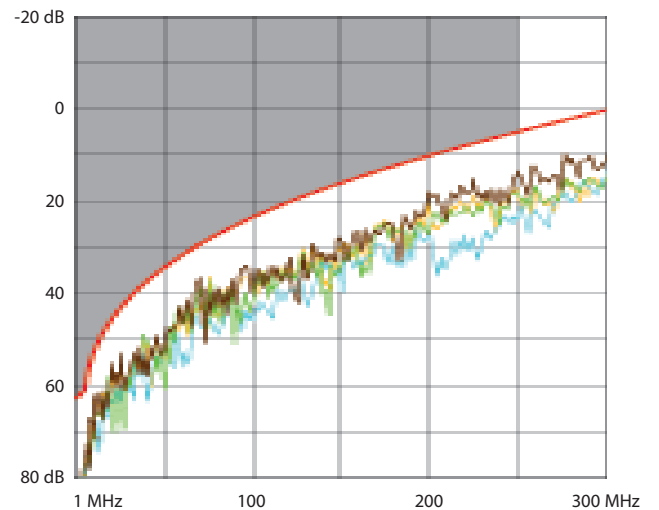
9.2 Performance of permanent link with F/UTP cable (Cont.)
NEXT (Near end Crosstalk Attenuation)



PS NEXT (Power Sum NEXT)



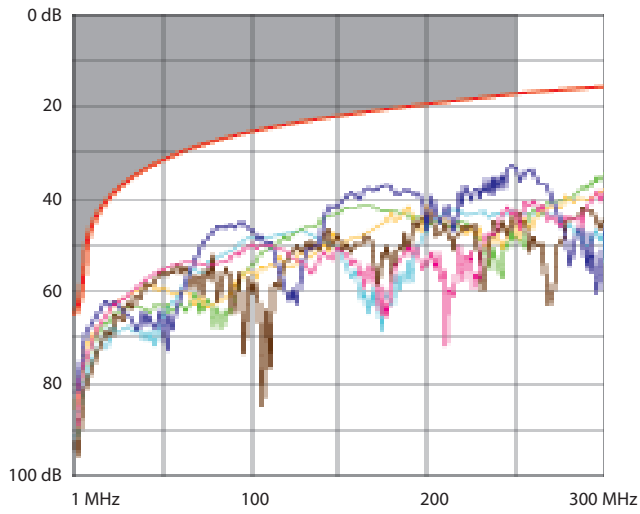
ACR (Attenuation to Crosstalk Ratio)



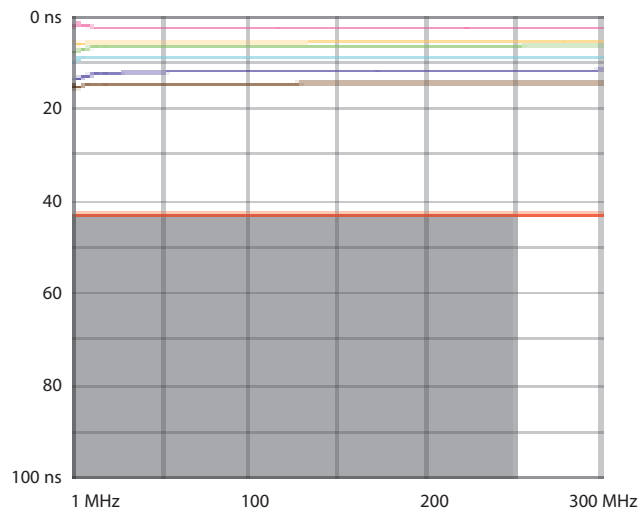
9. PERFORMANCE (Cont.)

9.2 Performance of permanent link with F/UTP cable (Cont.)

ELFEXT (Equal Level End Crosstalk Attenuation)



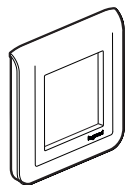
Delay skew



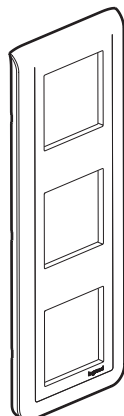
* Contains a silver compound to ontagonize the growth of bacteria on the surface.

Mosaic™ Cover plates

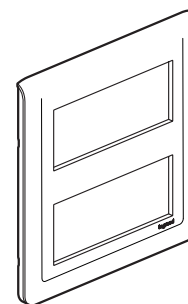
Cat. No(s): 0 788 01L/02L/03L/04L/06L/08L/10L/11L/14L/15L/16L/18L/22L/23L/25L/28L/30L/32L/36L/37L/38L/54L/56L/64L/66L
 0 793 01L/02L/03L/04L/06L/08L/10L/11L/14L/15L/16L/18L/22L/23L/25L/28L/30L/32L/36L/37L/38L/54L/64L
 0 790 42L/44L/46L/54L/56L/58L/62L/76L/77L - 0 994 84



0 788 02L
 0 793 02L
 0 790 42L



0 788 23L
 0 793 23L



0 788 30L
 0 793 30L

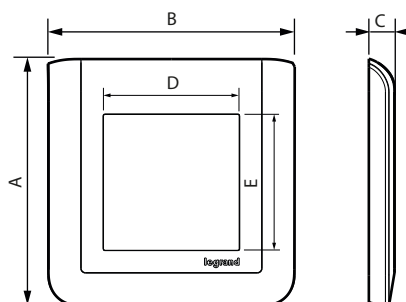
1. USE

Plates for covering mechanisms with 1 to 2 x 10 modules.

2. RANGE

	White	Alu	Matte Black
1 module narrow	0 788 01L	0 793 01L	-
2 modules	0 788 02L	0 793 02L	0 790 42L
3 modules	0 788 03L	0 793 03L	-
1-gang / 1 module	0 788 11L	0 793 11L	-
4 modules - Horizontal	0 788 14L	0 793 14L	0 790 54L 0 994 84
5 modules - Horizontal	0 788 15L	0 793 15L	-
5 modules - Vertical	0 788 25L	0 793 25L	-
6 modules - Horizontal	0 788 16L	0 793 16L	0 790 56L
8 modules - Horizontal	0 788 18L	0 793 18L	0 790 58L
10 modules - Horizontal	0 788 10L	0 793 10L	-
2 x 2 modules - Horizontal	0 788 04L	0 793 04L	0 790 44L
2 x 2 modules - Vertical	0 788 22L	0 793 22L	0 790 62L
3 x 2 modules - Horizontal	0 788 06L	0 793 06L	0 790 46L
3 x 2 modules - Vertical	0 788 23L	0 793 23L	-
4 x 2 modules - Horizontal	0 788 08L	0 793 08L	-
2 x 5 modules	0 788 30L	0 793 30L	-
2 x 6 modules	0 788 36L	0 793 36L	0 790 76L
2 x 8 modules	0 788 37L	0 793 37L	0 790 77L
2 x 10 modules	0 788 28L	0 793 28L	-
2 x 3 x 2 modules	0 788 32L	0 793 32L	-
2 x 2 x 2 modules	0 788 38L	0 793 38L	-
Plates 57 mm center distance			
2 x 2 modules - Vertical	0 788 54L	0 793 54L	-
2 x 2 modules - Horizontal	0 788 64L	0 793 64L	-
3 x 2 modules - Vertical	0 788 56L	-	-
3 x 2 modules - Horizontal	0 788 66L	-	-

3. DIMENSIONS (mm)



References	A	B	C	D	E
0 788 01L - 0 793 01L	82	40	8.5	23	45.5
0 788 02L - 0 793 02L - 0 790 42L	82	82	8.5	45.5	45.5
0 788 03L - 0 793 03L	82	123	8.5	68	45.5
0 788 10L - 0 793 10L	82	295	8.5	226.5	45.5
0 788 11L	82	82	8.5	23	45.5
0 788 14L - 0 793 14L - 0 790 54L 0 994 84	82	153	8.5	91	45.5
0 788 15L - 0 793 15L	82	153	8.5	113.5	45.5
0 788 16L - 0 793 16L - 0 790 56L	82	224	8.5	136	45.5
0 788 18L - 0 793 18L - 0 790 58L	82	224	8.5	181	45.5
0 788 04L - 0 793 04L - 0 790 44L	82	153	8.5	45.5	45.5
0 788 06L - 0 793 06L - 0 790 46L	82	224	8.5	45.5	45.5
0 788 08L - 0 793 08L	82	295	8.5	45.5	45.5
0 788 22L - 0 790 22L - 0 790 62L	153	82	8.5	45.5	45.5
0 788 23L - 0 790 23L	224	82	8.5	45.5	45.5
0 788 25L - 0 793 25L	153	82	8.5	45.5	113.5
0 788 28L - 0 793 28L	166	318	8.5	226.5	45.5
0 788 30L - 0 790 30L	166	166	9	113.5	45.5
0 788 36L - 0 793 36L - 0 790 76L	166	237	9	136.5	45.5
0 788 37L - 0 793 37L - 0 790 77L	166	237	9	182	45.5
0 788 32L - 0 793 32L	166	237	9	45.5	45.5
0 788 38L - 0 793 38L	166	166	9	45.5	45.5
0 788 54L - 0 793 54L	139	82	8.5	45.5	45.5
0 788 56L	196	82	8.5	45.5	45.5
0 788 64L - 0 793 64L	82	139	8.5	45.5	45.5
0 788 66L	82	196	8.5	45.5	45.5

4. TECHNICAL CHARACTERISTICS

■ 4.1 Mechanical characteristics

Impact test: IK 04

■ 4.2 Material characteristics

Halogen-free

UV-resistant

Material of plates: ABS White (RAL 9003) polyglass appearance

ABS painted Aluminium varnished glittery

ABS Painted Matt Black satin finish RAL 9017

Material of subplates: PC

Self-extinguishing: 650° C/30 s

■ 4.3 Climate characteristics

Storage temperature: -10°C to +70°C

Usage temperature: -5°C to +35°C

5. CLEANING

Surface cleaning with a cloth.

Do not use: acetone, tar remover, trichloroethylene.

Caution: A preliminary test should be carried out if other specific cleaning products are to be used.

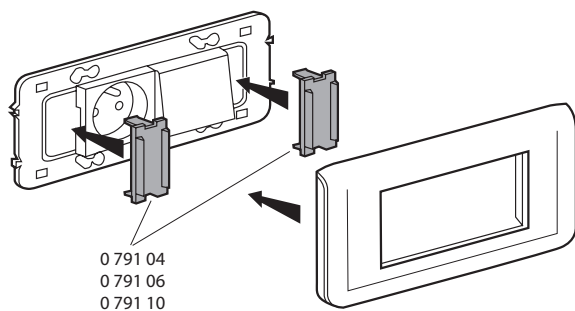
6. SPECIAL USE

Mosaic plates must not be painted.

7. ACCESSORIES

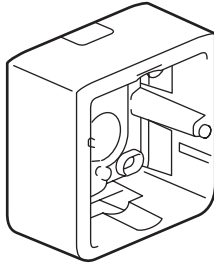
For 4, 6 and 10-module plates, use blanking plates:

Plates	Blanking plates
4 modules	0 791 04
6 modules	0 791 06
10 modules	0 791 10

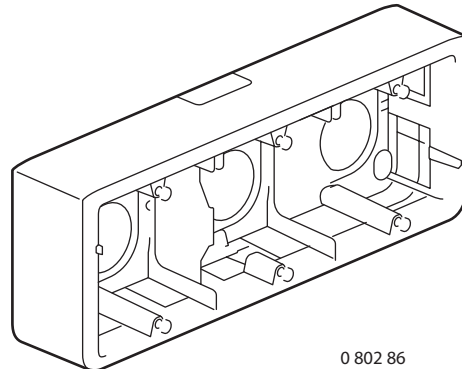


Mosaic™ Surface-mounting boxes

Cat. No(s): 0 802 80/81/82/83/84/85/86/89
 0 802 74/76/78



0 802 81



0 802 86

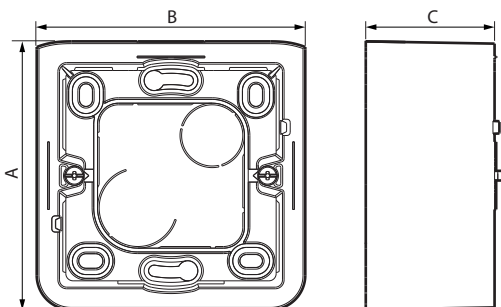
1. DESCRIPTION

Surface-mounting frames with pre-cut removable entries (top/bottom).
 Supplied with screws.

2. GAMME

Surface-mounting boxes	White
For 2 modules, equipped with a 20 x 12.5 mm removable entry	0 802 80 0 802 81
For 3 modules, equipped with a 20 x 12.5 mm removable entry	0 802 89
For 4, 5 or 2 x 2 horizontal modules equipped with a 32 x 12.5 mm removable entry	0 802 85
For 6, 8 or 3 x 2 horizontal modules equipped with a 32 x 12.5 mm removable entry	0 802 86
For 10 or 4 x 2 horizontal modules equipped with a 40 x 20 mm removable entry	0 802 84
For 5 or 2 x 2 vertical modules equipped with a 20 x 12.5 mm removable entry	0 802 82
For 3 x 2 vertical modules equipped with a 20 x 12.5 mm removable entry	0 802 83
For 2 x 5, 2 x 2 x 2 modules, equipped with two 40 x 20 mm removable entries	0 802 74
For 2 x 6, 2 x 8 or 2 x 3 x 2 modules, equipped with three 40 x 20 mm removable entries	0 802 76
For 2 x 10 modules, equipped with four 40 x 20 mm removable entries	0 802 78

3. DIMENSIONS (mm)



3. DIMENSIONS (mm) (continued)

Cat. Nos	A	B	C
0 802 80	83.5	83.5	30
0 802 81	83.5	83.5	40
0 802 89	83.5	124.5	40
0 802 82/85	83.5	154.5	40
0 802 83/86	83.5	225.5	40
0 802 84	83.5	296.5	40
0 802 74	167.5	167.5	46
0 802 76	167.5	238.5	46
0 802 78	167.5	319.5	46

4. TECHNICAL CHARACTERISTICS

■ 4.1 Mechanical characteristics

Protection against solid/bodies and liquids: IP 20
 Protection against impacts: IK 04

■ 4.2 Material characteristics

Frame:
 White ABS RAL 9003 for Cat. Nos 0 802 80/81/82/83/84/85/86/89
 White PC RAL 9003 for Cat. 0 802 74/76/78

Separation partition: recycled PS

Screws: Steel

Halogen-free

UV-resistant

Self-extinguishing: 650°C/30 s

■ 4.3 Climate characteristics

Storage temperature: -10°C to +70°C

Operating temperature: -5°C to +35°C

5. CLEANING

Surface cleaning with a cloth.

Do not use: acetone, tar remover, trichloroethylene.

Caution: Always test before using other special cleaning products.