



ENGLISH

Portable Power Station

600W
AC Output
Dual-Input
Fast Charging
Long Lifespan



User Manual

ZMG108

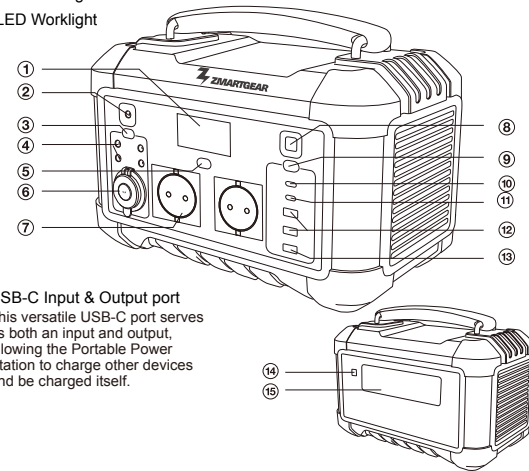
Thank you for purchasing our ZmartGear Portable Power Station. Before using your new power station, please read this manual carefully. It's important to fully charge the power station before the initial use.

Product Layout

- LCD Display
- DC Input
- DC Power On/Off button
- DC Output x 4
- AC Output Power On/Off button
- DC Output (Car Cigarette Lighter Port)
- AC Output x 2
- Main Power Switch button
- USB ports Power On/Off button
- * USB-C Input & Output port
- USB-C Output
- USB-C Output x 2
- USB-A Output
- LED Worklight Power On/Off button
- LED Worklight

The package includes:

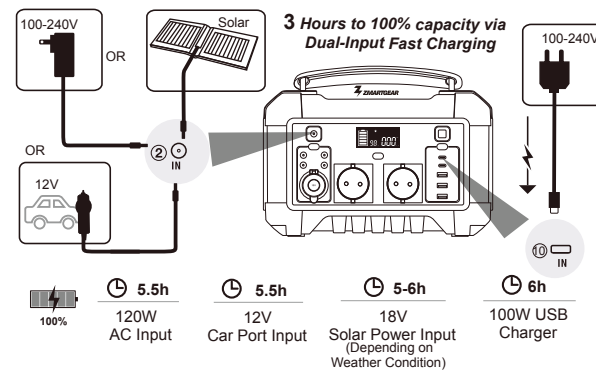
- Portable Power Station x1
- AC Adapter x 1
- Car Charger x 1
- User Manual x 1



* USB-C Input & Output port
This versatile USB-C port serves as both an input and output, allowing the Portable Power Station to charge other devices and be charged itself.

Buttons Function & Operation Overview

Charge the Power Station

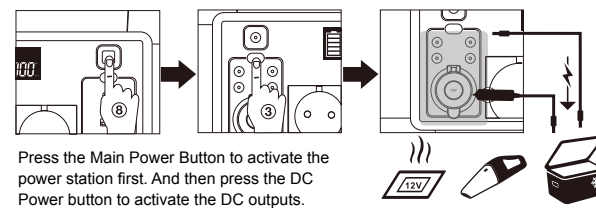


* NOTE

Fully charged in just 3 hours with Dual Input Fast Charging: AC input and DC input via PD 100W adapter (Not included) or a 200W solar panel (sold separately). For optimal safety and performance, always use a qualified adapter for recharging.

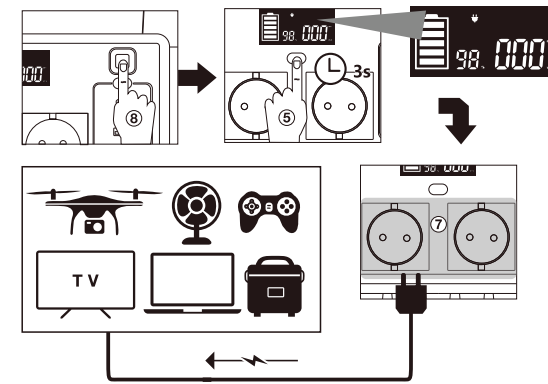
* Dual-Input Fast Charging technology, enabling simultaneous charging via both AC and DC inputs. This innovative feature significantly reduces charging time, allowing you to recharge your power station quickly and efficiently.

Charge or power up 12V Electronic Devices



Press the Main Power Button to activate the power station first. And then press the DC Power button to activate the DC outputs.

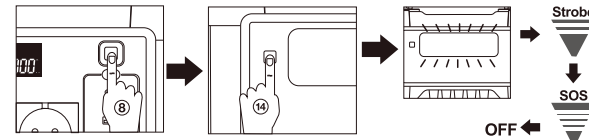
Supply AC power for electronic appliances



Warning

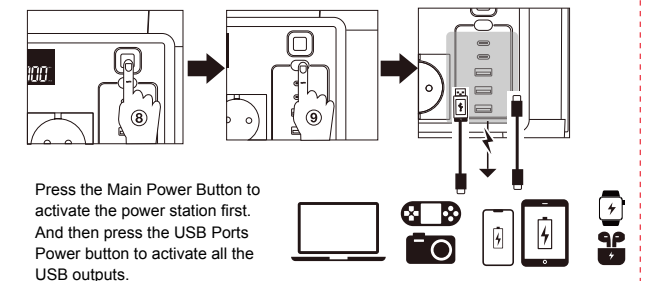
- Avoid using the unit with a power load exceeding its rating.
- Please ensure you turn off the AC output after each use.

Turn On/Off the LED Light



Power On: Press the Main Power Button to activate the power station.
LED Work Light Activation: Press the LED worklight power button to illuminate it.
Switching Modes: Repeatedly press the worklight power button to cycle through continuous light, strobe, and SOS modes.
Power Off: Press the Worklight power button again to turn off the LED worklight.

Charge Mobile Electronic Devices



Press the Main Power Button to activate the power station first. And then press the USB Ports Power button to activate all the USB outputs.

* NOTE

Use a certified charging cable to ensure safe and optimal charging for your mobile devices.

Turn On / Off the Portable Power Station

Power On/Off

To turn on the power station, press the Main Power button. To turn off the power station, press and hold the Main Power button for 3 seconds.

* Auto Shut Off

The power station will automatically turn off after 2 minutes of inactivity (no load detected).

AC/USB/DC/LED Output Control

Press the Main Power Button to activate the power station first. Please press the relevant switch button to activate or deactivate the AC/USB/DC/LED switches.

* NOTE

- Always use a qualified charging cable for optimal performance and safety.
- Do Not overload the power station.
- Unplug the power station from the AC outlets when not in use.
- Store the power station in a cool, dry place.

Troubleshooting

If the power station detects an overload or another emergency, its safety protection system will automatically activate and display a corresponding error code. In this case, please follow the on-screen prompts.

Code	Cause	Action
001	Low Battery Voltage	Recharge the power station
002	Overcharge Protection	Stop recharging
003	Low Temperature Protection	Move the unit to an environment above -10°C
004	Overheat Protection	Cool down for at least 10 minutes
005	DC output overload	Remove the load from the DC outlet
006	DC output short circuit	Check and remove the load from the DC outlet
007	AC output overload	Remove the load from the AC outlet
008	AC output short circuit	Check and remove the load from the AC outlet
009	Overheat protection (AC)	Cool down for at least 10 minutes

Warning

To prevent fire hazards and personal injury, please follow these safety instructions and always refer to the user manuals of any devices you intend to power with this power station.

- Always inspect the power station before use. Never operate a damaged or broken unit.
- Do NOT charge or use the power station in a bathroom, or in any wet or humid environment.
- Keep your hands dry before touching the power station or its plugs.
- Never insert any foreign objects, especially metal, into the power station's sockets.
- Carefully read the instructions for any devices you intend to power with this station.
- Only use approved power cords. Do not use any cords that are damaged or frayed.
- Do NOT operate the power station with a damaged power cord.
- The output sockets are for powering external devices only. Never connect the output to a main power source under any circumstances.
- Only use the original or a certified adapter and cable to recharge the power station. Do NOT exceed the specified input voltage.
- Do NOT use unauthorized accessories.
- Unplug the power cord during thunderstorms.
- Before each use, visually inspect the power station for abnormalities such as swelling, cracks, or damaged parts. Do not use the unit if you find any such issues.
- Do NOT use the power station in explosive environments where flammable liquids, gases, or dust are present. Keep it away from fire, heat, and water sources.
- Do NOT overload the power station. Operate it within the specified power limits.
- Do NOT move the power station while it is charging or in use.
- Keep your fingers and hands away from the power station's sockets.
- Stop using the power station immediately if you notice rust, unusual odors, overheating, or any other abnormal conditions.
- Turn off the power station immediately if it accidentally falls, is dropped, or experiences strong vibrations.
- Ensure the device you are connecting is powered off before connecting it to the power station.



Please read the user manual carefully before use.

- Do Not disassemble, repair, or modify the unit. Leave any servicing to a qualified professional.
- Keep the unit away from heat and fire. Avoid leaving it in direct sunlight or hot environments.
- For optimal battery life, avoid using the unit with a power load exceeding its rating. Regularly charge and discharge the unit, ideally every 3 months, even if not in use.
- Store the unit in a clean, dry environment. Avoid dusty or wet locations.
- Keep the unit out of reach of children and pets.
- Never insert fingers or metal objects into any ports.
- Stop use immediately if the unit is dropped, shows signs of rust, emits unusual odors, overheats, or exhibits other abnormal behavior.

Help protect the environment! Dispose of used batteries according to local regulations.

Disposal of electronic waste

Electrical and electronic equipment (EEE) contains materials, components and substances that can be hazardous and harmful to human health and the environment when electrical waste and electronic equipment (WEEE) is not disposed of properly. Products marked with the crossed-out bin below are electrical and electronic equipment. The crossed bin symbolizes that waste is electrical and electronic equipment must not be disposed of with unsorted household waste, but must be collected separately.

All municipalities have set up collection schemes where waste electrical and electronic equipment can be delivered free of charge by citizens to recycling stations or other collection points or collected directly from households. Further information must be obtained from the municipality's technical administration.

Users of electrical and electronic equipment shall not dispose of waste electrical and electronic equipment with household waste. Users shall use municipal collection schemes to reduce the environmental impact of the disposal of waste electrical and electronic equipment and to increase the possibilities for reuse, recycling and recovery of waste electrical and electronic equipment.



Specifications

General Specs / Model: ZMG108
Battery Capacity: 555Wh (22.2V / 25Ah)
Dimension: 295 x 185 x 205 mm
Net Weight: 6.5 KG

Output / AC Output (x 2): 600W(Surge 1000W), 230V/50Hz - Pure Sine Wave
USB-A Output (x 2): 5V/2.4A
USB-A Output: QC 18W Max. (5V/3A, 9V/2A, 12V/1.5A)
USB-C Output: PD 60W Max. (5V/9V/12V/15V/20V, 3A Max.)
Regulated DC Output (x 4) & Car port Output: 120W Max. (12V/10A)

Input / DC Input: 140W Max. (10~28V, 8A)

Bidirectional USB-C Port (Supporting Input & Output)
/ USB-C Input & Output: PD100W Max. (5V/3A, 9V/3A, 12V/3A, 15V/3A, 20V/5A)

Battery / Battery Capacity: 555Wh (22.2V / 25Ah)
Battery Type: Lithium-ion (NCM)
Charging Temperature: 0°C ~ 45°C
Discharging Temperature: -10°C ~ 45°C (Optimal: 20°C ~ 30°C)
Storage Temperature: -10°C ~ 45°C (Optimal: 20°C ~ 30°C)

600 W | 3 Hrs | 555 Wh LED | QC 18W

AC Output Fully Charge with Dual-Input Battery Capacity Work Light USB-A

12 Devices | PD 100W | PD 60W | 120W

Powered Simultaneously USB-C Input & Output USB-C Output DC Output



CEPELO A/S
Nibevej 54
9200 Aalborg SV
Denmark
+4598180900
info@cepelo.dk
www.cepelo.dk

RoHS CE