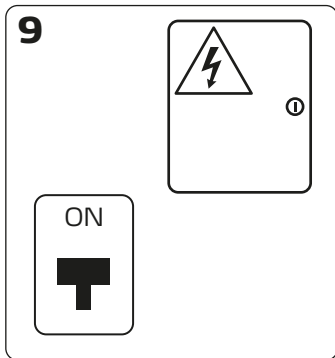
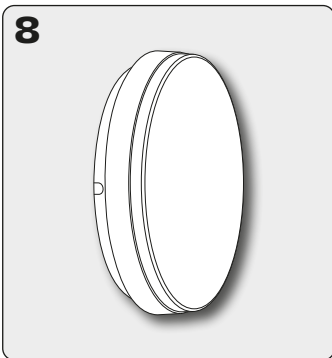
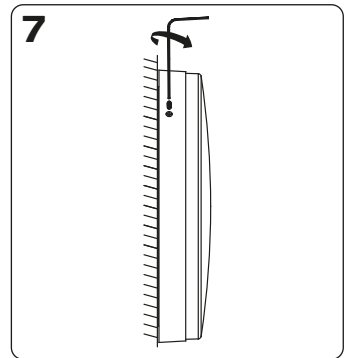
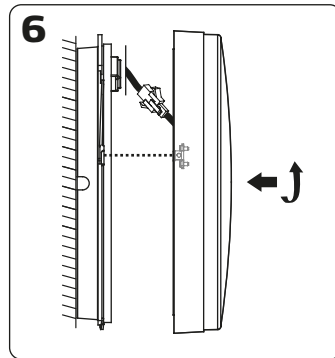
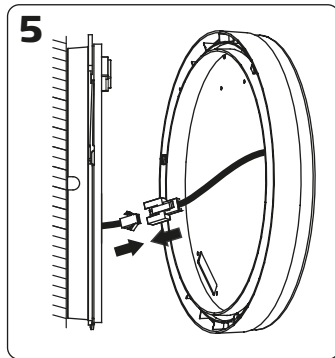
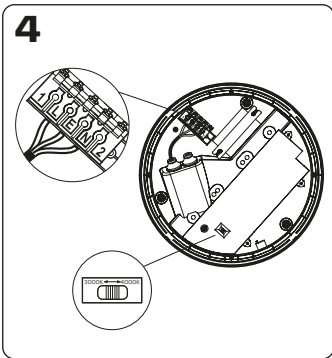
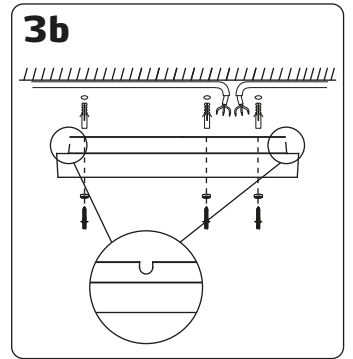
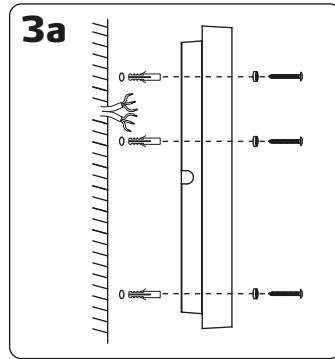
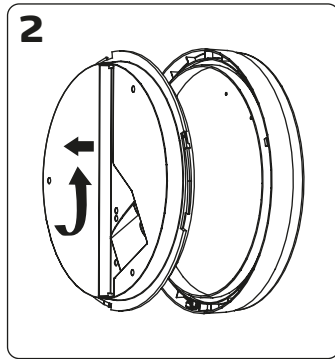
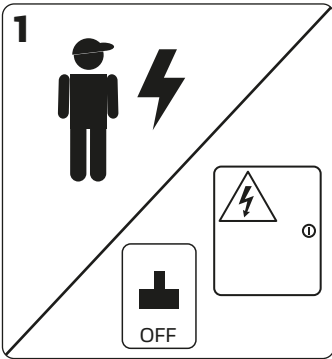
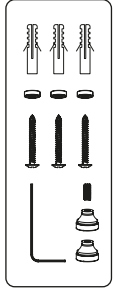
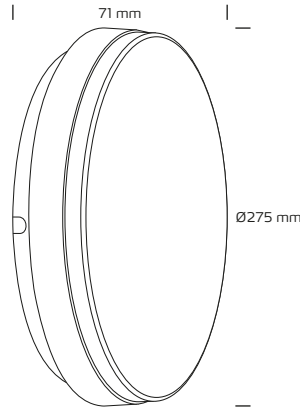


## Adriano Sensor



|             |      |                |                   |        |        |       |      |  |
|-------------|------|----------------|-------------------|--------|--------|-------|------|--|
| 220-240 VAC | 18W  | 3000K<br>4000K | 1550 / 1650 Lumen | CRI>90 | 50000  |       | 120° |  |
| IP54        | IK08 |                |                   |        | Sensor | 4-6 m | 140° |  |
| 12          | 96   | CE             | RoHS              |        |        |       |      |  |

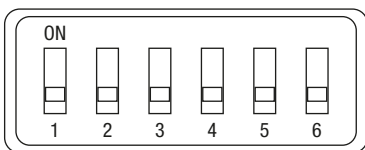


## Adriano Sensor

### Daylight and Microwave Sensor

| Detection area |      | Hold time |    | Daylight sensor |    | Stand-by DIM level |    | Stand-by DIM period |    |        |
|----------------|------|-----------|----|-----------------|----|--------------------|----|---------------------|----|--------|
| 1              |      | 2         | 3  | 4               | -  | 5                  |    | 6                   |    |        |
| -              | 100% | -         | -  | 5S              | -  | disable            | -  | 0%                  | -  | ∞      |
| ON             | 50%  | -         | ON | 60S             | ON | 30 lux             | ON | 20%                 | ON | 15 MIN |
|                |      | ON        | -  | 3 min           |    |                    |    |                     |    |        |
|                |      | ON        | ON | 10 min          |    |                    |    |                     |    |        |

### Factory setting



#### Sensor setting

| Detection area |      |
|----------------|------|
| 1              |      |
| -              | 100% |
| ON             | 50%  |

#### Detection area

Detection area can be reduced by selecting the combination on the DIP switches to fit precisely each application.

**Notice 1:** The test is based on a height of 3m, the radius is the ground detect distance, which can be selected through the slide switch.

**Notice 2:** The detective range is measured by human body whose stature is around 1.6-1.7M with medium size and traveling speed is around 1.0-1.5M per second. If the stature, bodily form and traveling speed are changed, then the detective range will be changed accordingly.

**Notice 3:** Test result will be highly influenced by test environment, the more open environment, the closer detect distance; the narrower environment, the longer detect distance. The detector may do self-excitation in a narrow environment.

| Hold time |    |        |
|-----------|----|--------|
| 2         | 3  |        |
| -         | -  | 5S     |
| -         | ON | 60S    |
| ON        | -  | 3 min  |
| ON        | ON | 10 min |

#### Hold time

Refers to the time period the lamp remains at 100% illumination after no motion detected.

**Notice 1:** The hold time can be selected by the slide switch.

The hold time counting should be started after the sensor is powered on and initialized.

| Daylight sensor |         |
|-----------------|---------|
| 4               | -       |
| -               | disable |
| ON              | 30 lux  |

#### Daylight sensor

The sensor can be set to only allow the lamp to illuminate below a defined ambient brightness threshold. When set to Disable mode, the daylight sensor will switch on the lamp when motion is detected regardless of ambient light level.

**Notice 1:** The light threshold can be selected through the slide switch, it may cause a large deviation in different lamps.

| Stand-by DIM level |     |
|--------------------|-----|
| 5                  |     |
| -                  | 0%  |
| ON                 | 20% |

#### Stand-by dimming level

This is the dimmed low light output level you would like to have after the hold-time in the absence of people.

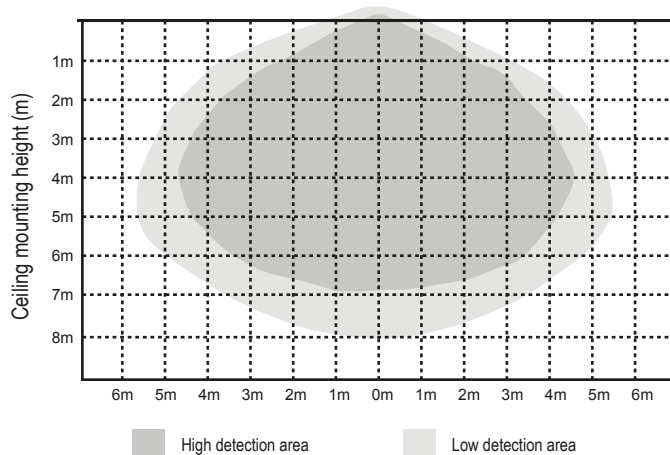
| Stand-by DIM period |        |
|---------------------|--------|
| 6                   |        |
| -                   | ∞      |
| ON                  | 15 MIN |

#### Stand-by period

This is the time period you would like to keep at the low light output level before it is completely switched off in the long absence of people.

### Induction Range

#### Ceiling Mounting pattern (Unit: m)



#### Wall Mounting pattern (Unit: m)

