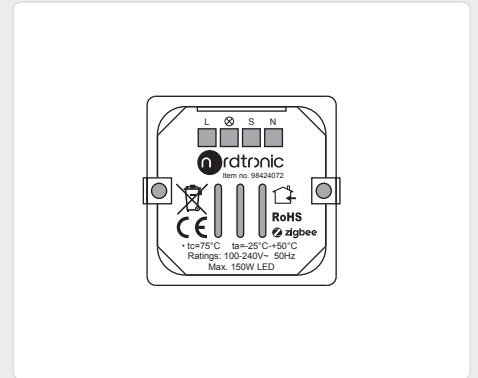
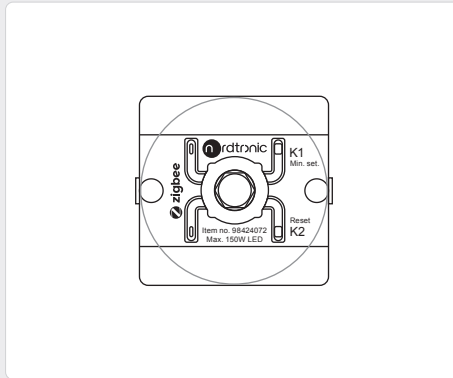
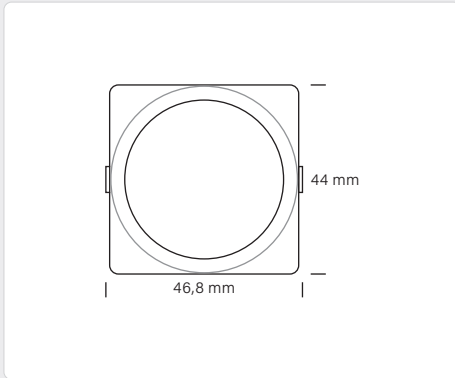
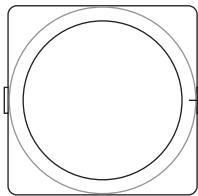


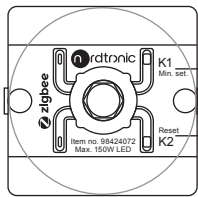
Rotary Dimmer Zigbee



Function introduction



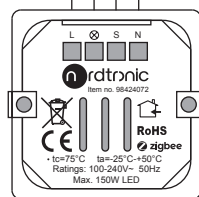
Rotary knob, short press to turn on/off, rotate clockwise to increase brightness, rotate counterclockwise to decrease brightness



K1 / Min. set: for minimum brightness and startup brightness setting

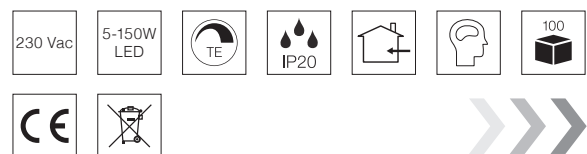
K2 / Reset: for zigbee network pairing, touchlink or factory reset the device

1ch dim output
Main input 230VAC
Push switch input 230VAC
Neutral input

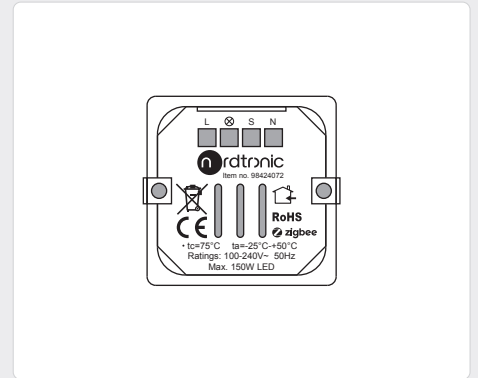
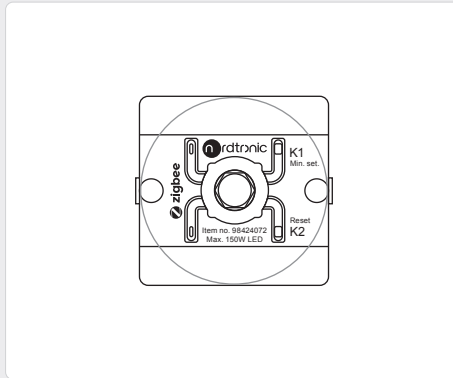
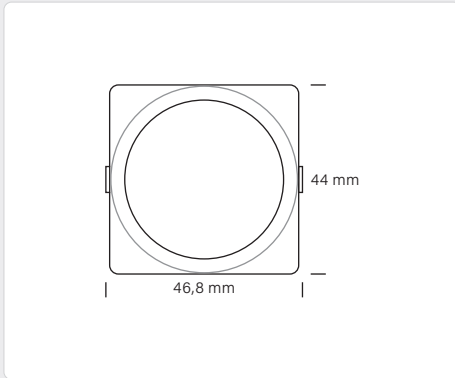


Input voltage	Output voltage	Output Current
230VAC	230VAC	max. 1.1A

Load symbol	Load type	Maximum load	Remarks
	Dimmable LED lamps	150W @ 230V	Due to variety of LED lamp designs, maximum number of LED lamps is further dependent on power factor result when connected to dimmer
	Dimmable LED drivers	150W @ 230V	Maximum permitted number of drivers is 150W divided by connected load
	Low voltage halogen lighting with electronic transformers	150W @ 230V	



Find the updated manual on our website – nordtronic.com
With reservation for typing errors



Main Features

- Rotary Dimmer Zigbee based on latest Zigbee 3.0 protocol
- 230VAC input and output voltage
- Enables to set minimum brightness and startup brightness
- 1 channel output, up to 150W
- Enables to control ON / OFF and light intensity of connected light source
- Zigbee end device that supports Touchlink commissioning
- Can be controlled by zigbee gateway, zigbee remote and push switch
- Can directly pair to a compatible Zigbee remote via Touchlink without coordinator
- Supports self-forming zigbee network without coordinator and add other devices to the network
- Supports find and bind mode to bind a Zigbee remote
- Supports zigbee green power and can bind max. 20 zigbee green power remotes
- Compatible with universal Zigbee gateway products
- With push switch input, can be controlled by universal AC push switches
- Radio Frequency: 2.4GHz
- Advanced microprocessor control
- Implemented algorithm of smart light source detection
- Active power and energy metering functionality
- Soft start function
- Innovative minimum dimming level and startup brightness setting functions
- Factory default version is trailing edge

DO NOT install with power applied to device.
DO NOT expose the device to moisture.

Installation

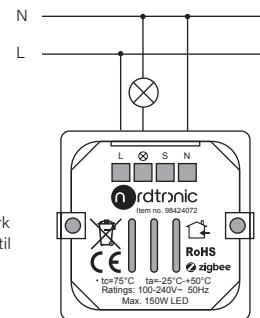
1. Do wiring according to connection diagram correctly

2. This Zigbee device is a wireless receiver that communicates with a variety of Zigbee compatible systems. This receiver receives and is controlled by wireless radio signals from the compatible Zigbee system

3. Zigbee Network Pairing through Coordinator or Hub (Added to a Zigbee Network)

Step 1: Remove the device from previous zigbee network if it has already been added to, otherwise pairing will fail. Please refer to the part *Factory Reset Manually*.

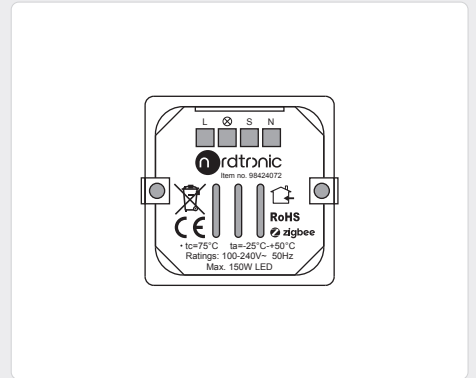
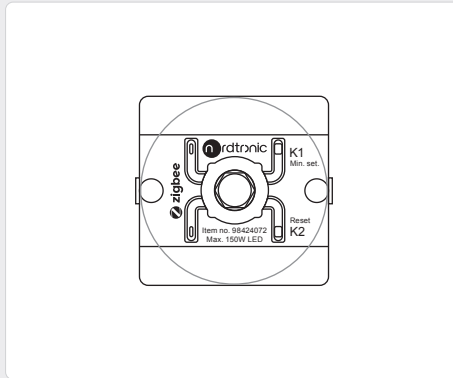
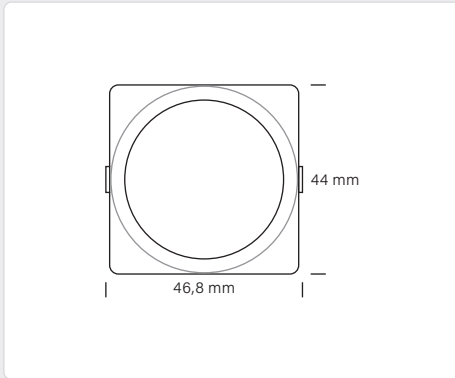
Step 2: From your Zigbee Controller or hub interface, choose to add lighting device and enter Pairing mode as instructed by the controller.



Step 3: Power on the device, it will be set into network pairing mode (connected light flashes twice slowly), the network pairing mode will last until the device is added to a Zigbee network (180s).

Step 4: Connected light will blink 5 times and then stay solid on, then the device will appear in your controller's menu and can be controlled through controller or hub interface.





4. TouchLink to a Zigbee Remote

Step 1:

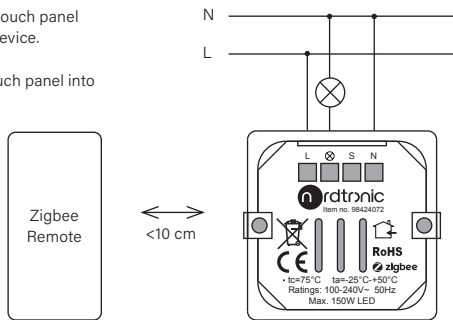
Method 1: Short press *K2 / Reset* 4 times (or reset power of the device 4 times from master breaker) to start Touchlink commissioning immediately under any circumstances, 180S timeout, repeat this step.

Method 2: Reset power of the device from master breaker, Touchlink commissioning will start after 15S if it's not added to a zigbee network, 165S timeout. Or start immediately if it's already added to a network, 180S timeout. Once timeout, repeat this step.

Step 2: Bring the remote or touch panel within 10 cm of the lighting device.

Step 3: Set the remote or touch panel into Touchlink commissioning, please refer to corresponding remote or touch panel manual to learn how.

Step 4: There shall be indication on the remote for successful link and connected light will flash twice.



Note

- 1) Directly TouchLink (both not added to a Zigbee network), each device can link with 1 remote.
- 2) TouchLink after both added to a Zigbee network, each device can link with max. 30 remotes.
- 3) Control with both gateway and remote, add remote and device to network first then TouchLink.
- 4) After TouchLink, the device can be controlled by the linked remotes.

5. Removed from a Zigbee Network through Coordinator or Hub Interface

From your Zigbee controller or hub interface, choose to delete or reset the lighting device as instructed. The connected light blinks 3 times to indicate successful reset.

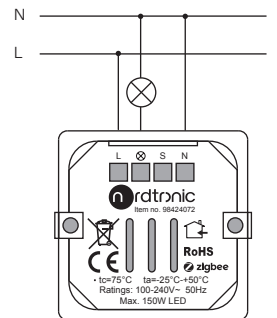
6. Factory Reset Manually

Step 1: Short press *K2 / Reset* for 5 times continuously or reset power of the device from master breaker for 5 times continuously if the *K2 / Reset* is not accessible.

Step 2: Connected light will blink 3 times to indicate successful reset.

Note:

- 1) If the device is already at factory default setting, there is no indication when factory reset again.
- 2) All configuration parameters will be reset after the device is reset or removed



7. Learning to a Zigbee Green Power Remote

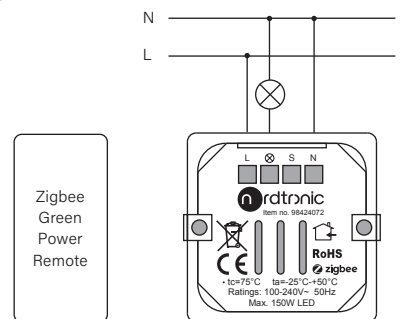
Step 1: Short press *K2 / Reset* 4 times

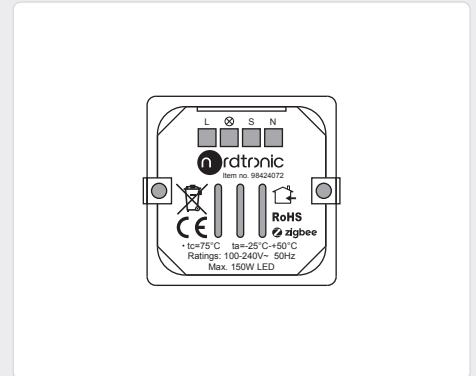
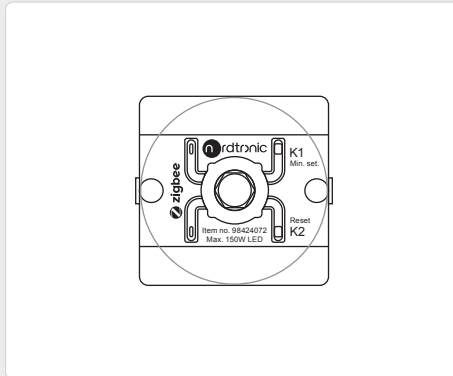
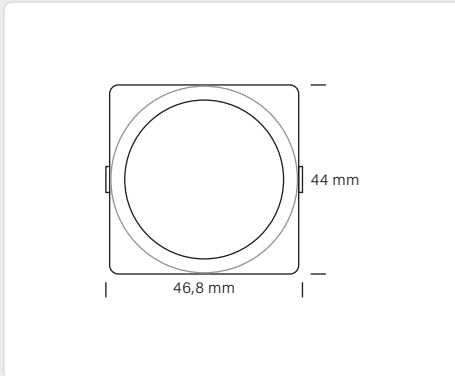
(Or reset power of the device 4 times from master breaker) to start Learning mode (connected light flashes twice), 180 seconds timeout, repeat this step.

Step 2: Set the green power remote into Learning mode, please refer to its manual.

Step 3: Connected light will flash twice to indicate successful learning. Then the remote can control the device.

Note: Each device can learn to max. 20 zigbee green power remotes.



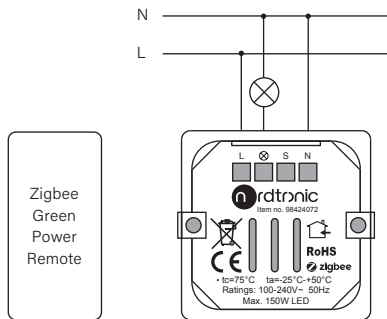


8. Delete Learning to a Zigbee Green Power Remote

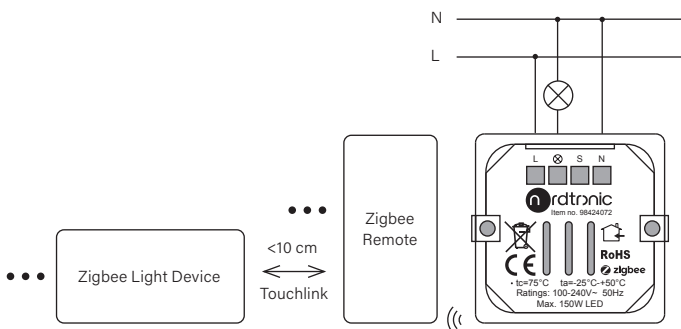
Step 1: Short press *K2 / Reset* 3 times (Or reset power of the device 3 times from master breaker) to start delete Learning mode (connected light flashes slowly), 180 seconds timeout, repeat this step.

Step 2: Set the paired green power remote into Learning mode, please refer to its manual.

Step 3: Connected light will flash 4 times to indicate successful deleting.



9. Setup a Zigbee Network & Add Other Devices to the Network (No Coordinator Required)



Step 1: Short press *K2 / Reset* 4 times (Or reset power of the device 4 times from master breaker) to enable the device to setup a zigbee network (connected light flashes twice) to discover and add other devices, 180 seconds timeout, repeat this step.

Step 2: Set another device or remote or touch panel into network pairing mode and pair to the network, refer to their manuals.

Step 3: Pair more devices and remotes to the network as you would like, refer to their manuals.

Step 4: Bind the added devices and remotes through Touchlink so that the devices can be controlled by the remotes, refer to their manuals.

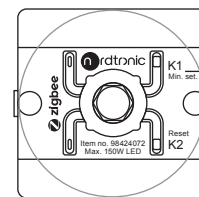
Note:

- 1) Each added device can link and be controlled by max. 30 added remotes.
- 2) Each added remote can link and control max. 30 added devices.

10. Minimum Brightness Setting Set Minimum Brightness



Step 1: Adjust the brightness of connected load to a desired level between 1%-50%.

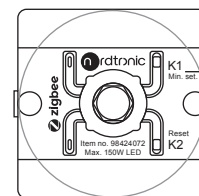


Step 2: Press and hold down *K1 / Min. set* for 3 seconds until connected load blinks to set the brightness adjusted in step 1 as minimum brightness, then the load can not be dimmed below this level.

Delete Minimum Brightness

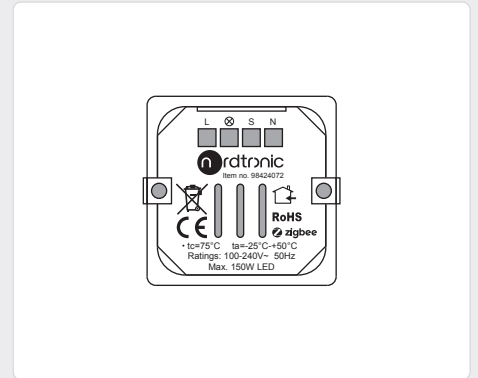
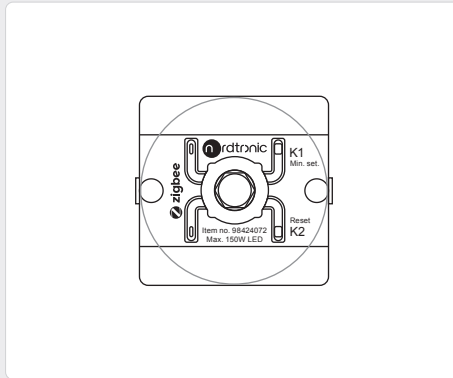
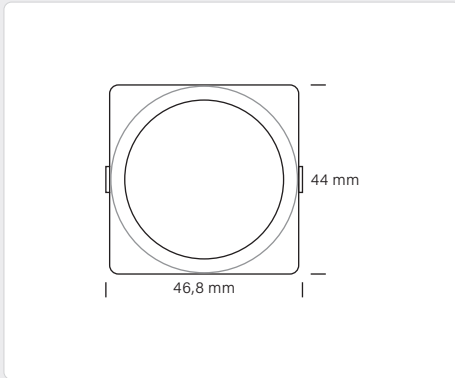


Step 1: Adjust the brightness of connected load to 100%.



Step 2: Press and hold down *K1 / Min. set* for 3 seconds until connected load blinks to delete the previously set minimum brightness.



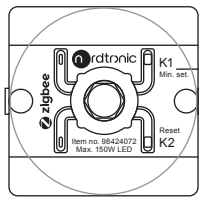


11. Startup Brightness Setting

Set Startup Brightness



Step 1: adjust the brightness of connected load to a desired level between 1%-50%.



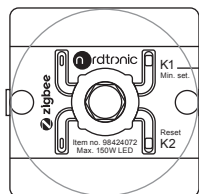
Step 2: Double click *K1 / Min. set* to set the brightness adjusted in step 1 as startup brightness, then the load will first go to startup brightness when turned on every time, then drop down to the brightness before last time turned off.

Note: startup brightness setting function is to avoid the phenomenon that some dimmable LED drivers can not be turned on after turned off at a very low brightness level. Once setting a startup brightness, if the startup brightness is higher than the brightness before turned off, the driver will first go to the startup brightness after turned on then drop down to the level before turned off. If the startup brightness is lower than the brightness before turned off, the driver will directly go to the brightness before turned off.

Delete Startup Brightness



Step 1: Adjust the brightness of connected load to 0%.



Step 2: Double click *K1 / Min. set* to delete the previously set startup brightness

12. Controlled by a push switch

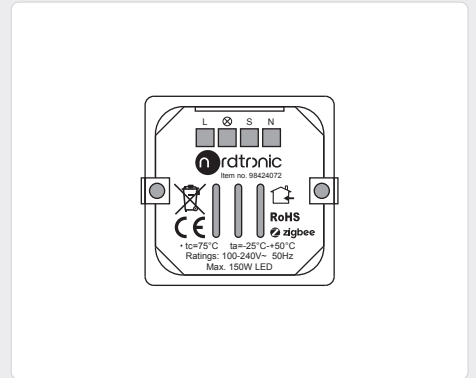
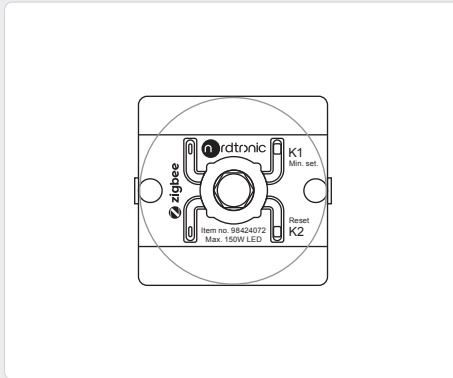
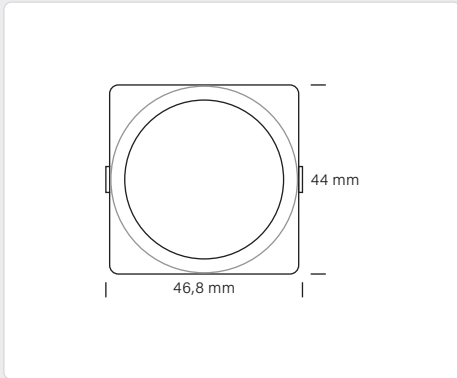
Once connected with a push switch, click the push switch to switch ON/OFF, press and hold down it to increase/decrease light intensity between 1% to 100%.

Compatible load types and recommended values of power for supported loads

Supported load types	230VAC
Resistive loads Conventional incandescent and halogen light sources	20-150W @ 230V
Capacitive loads Fluorescent tube lamp (compact / with electronic ballast), electronic transformer, LED	5-150W @ 230V
Inductive loads Ferromagnetic transformers	20-150W @ 230V

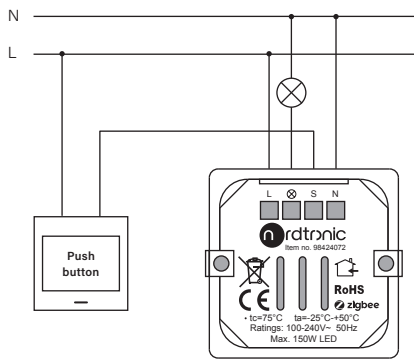
This phase dimmer adopts trailing edge dimming (reverse phase control). Please make sure the connected loads support the control type you choose. Please refer to the user manual of the load or consult the supplier of the load.



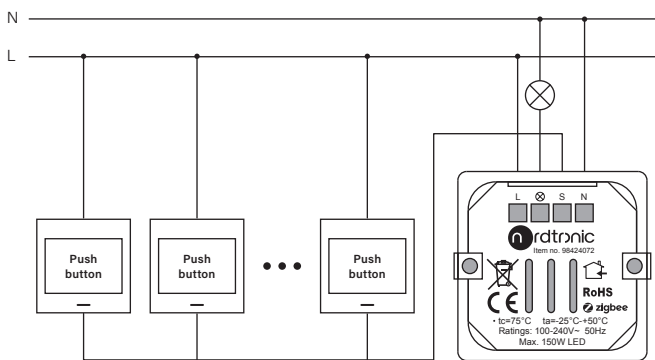


3-Wire Connection With Neutral Lead

Single push switch wiring



Multiple push switches wiring for multiple control points



Find the updated manual on our website – nordtronic.com
With reservation for typing errors