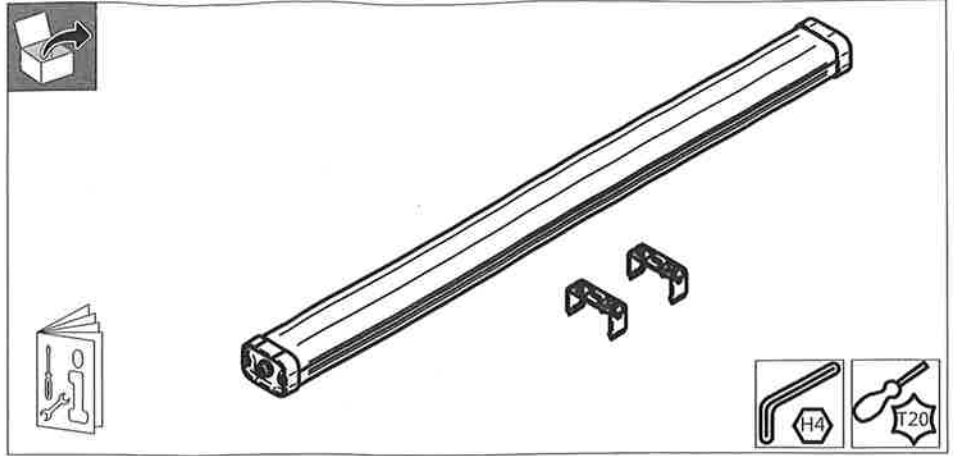


# PHILIPS

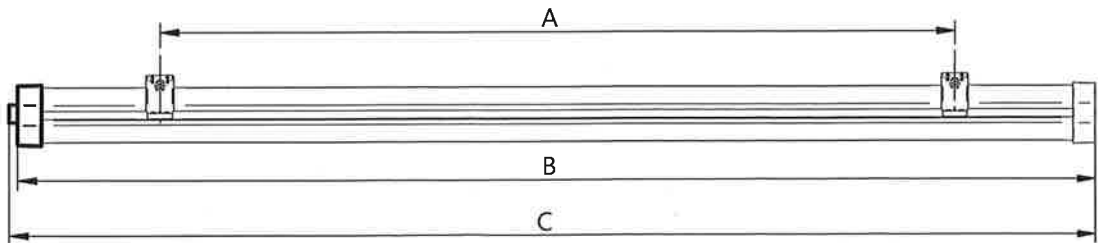
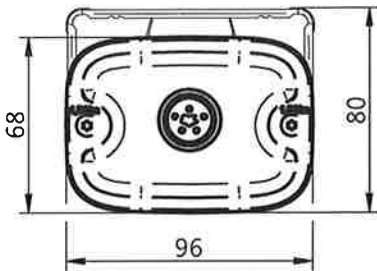
## Pacific LED gen5

WT490C RST16I5



		LEDs	220V 240V	50Hz 60Hz		Max. 45°C Min. -25°C	IP66	IK08				
GLOW WIRE 850°C	LIFE L70B50 30K hrs											

Prevent water from entering on or in the luminaire during installation and use phase. Refer to manual for installation details.  
Do not open when power up, risk of electrostatic discharge!  
The housing is made of non-metallic material.  
Prevent dust accumulation on the surface of the housing.  
Clean a luminaire only with a damp cloth containing antistatic agent.



Luminaire type	A [mm]	B [mm]	C [mm]	max
WT490C/ WT495C L700	360 - 260	660	670	1,60
WT490C/ WT495C L1200	920 - 720	1221	1231	2,40
WT490C/ WT495C L1600	1300 - 1100	1601	1611	3,00
WT490C/ WT495C L1800	1480 - 1080	1783	1793	3,20

828800141841

2023-07-20

© Signify Holding  
All rights reserved

