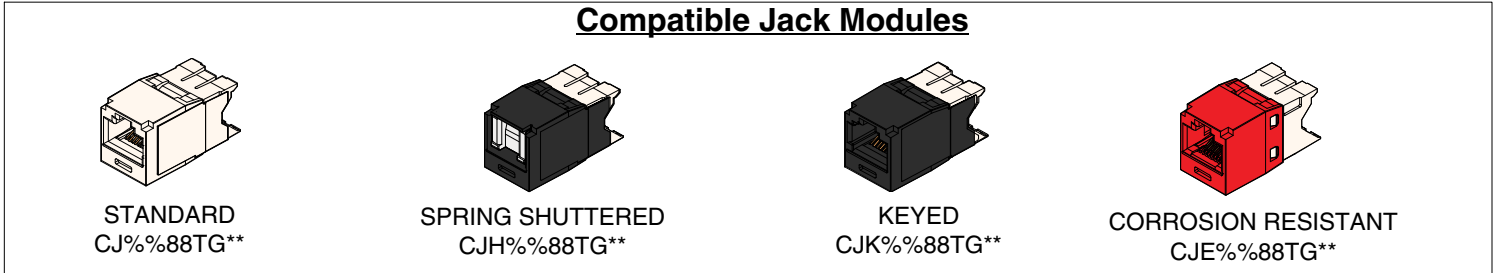


Compatible Jack Modules

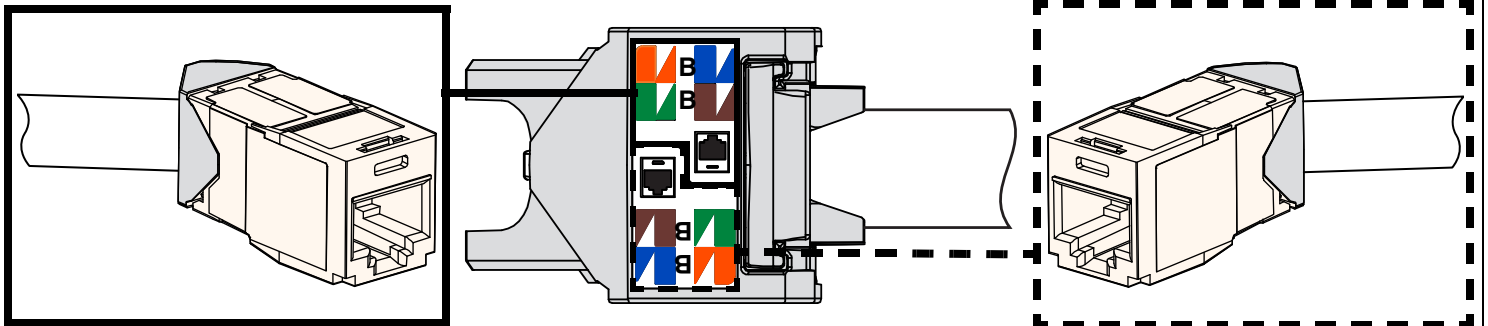


Understanding the Label

IMPORTANT! Determine the desired direction of cable **before** wiring the cap. The cap, in relation to the jack, **must** be kept consistent throughout the entire termination.

Left Orientation

Right Orientation

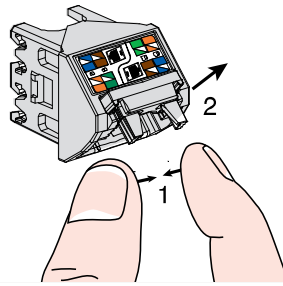
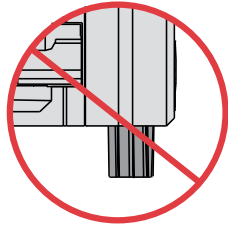
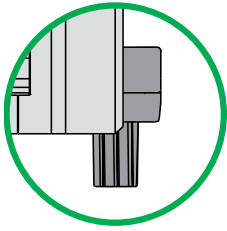


Follow solid line instructions for **Left Orientation.**
(Pages 2-3)

Follow solid line instructions for **Right Orientation.**
(Pages 4-5)

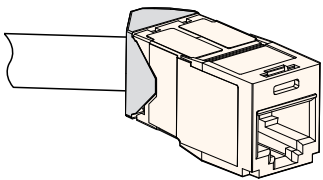
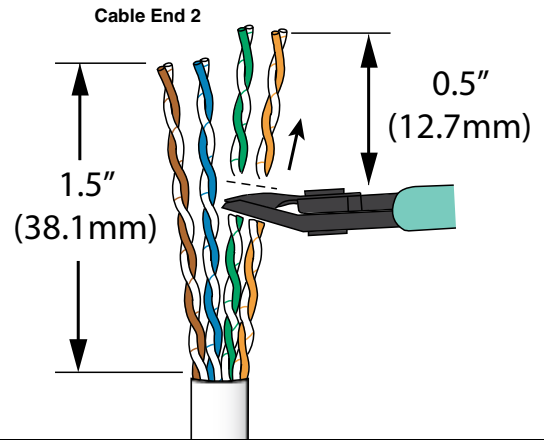
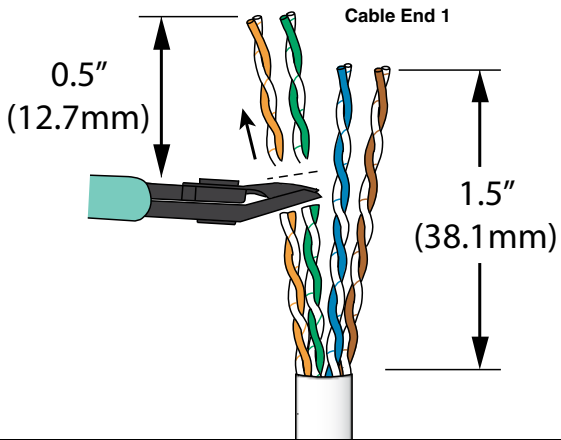
Left Orientation

1



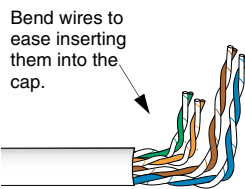
IMPORTANT!:
Be sure that strain relief is fully retracted before inserting cable.

2



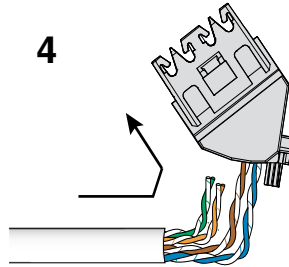
Do not pre-arrange conductors.

3



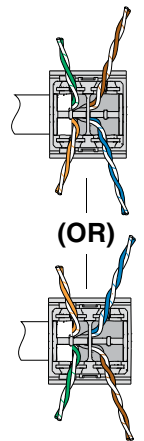
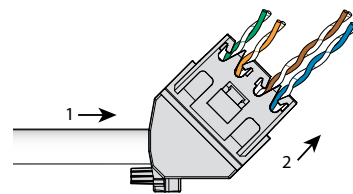
Bend wires to ease inserting them into the cap.

4



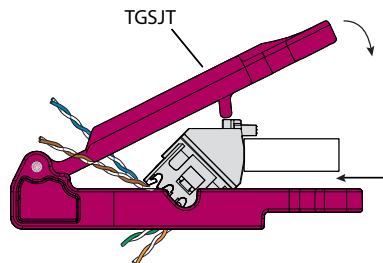
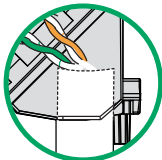
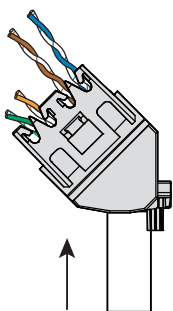
Cable End 1 Shown

5

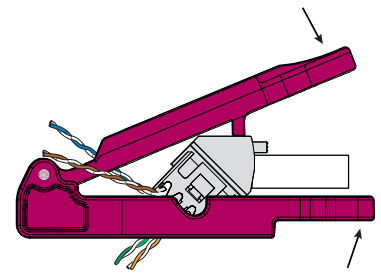


6

Be sure cable is fully inserted into wire cap

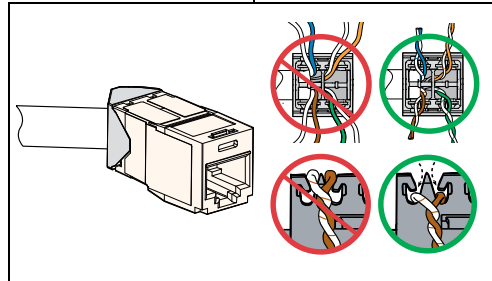
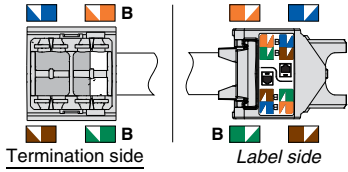


Cable End 1 Shown

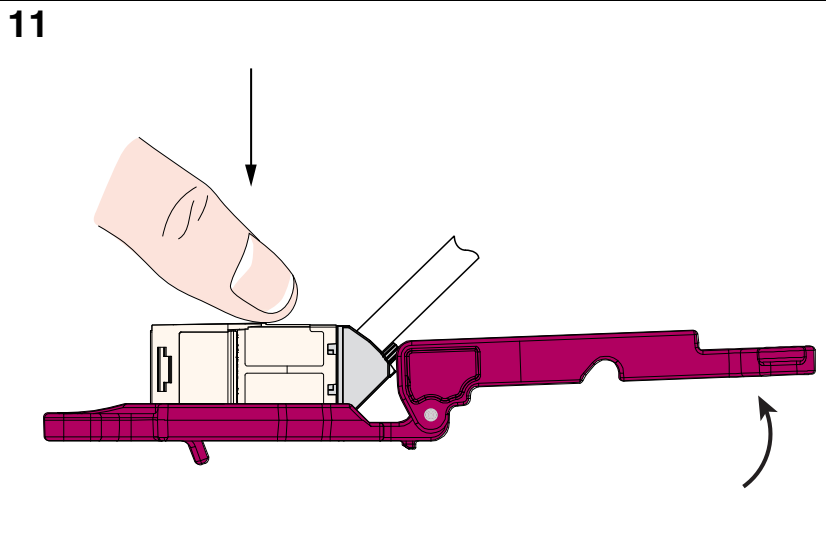
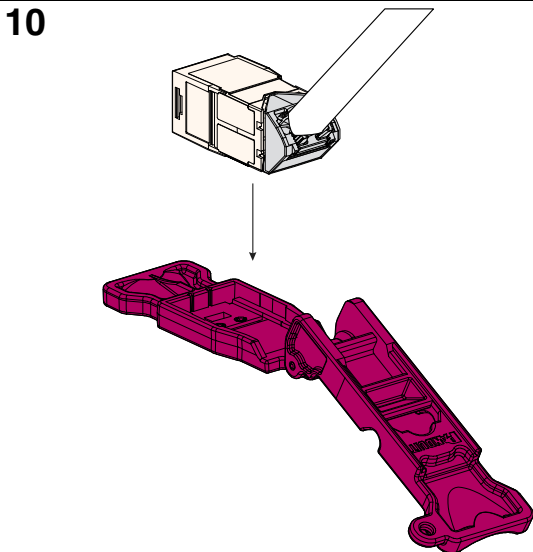
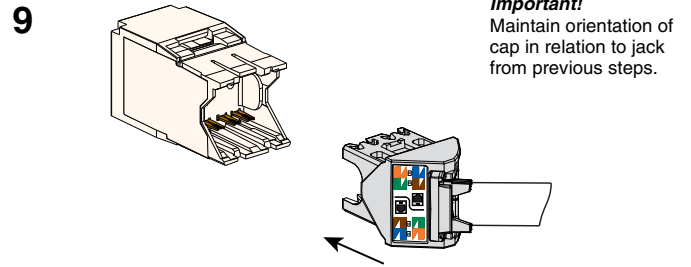
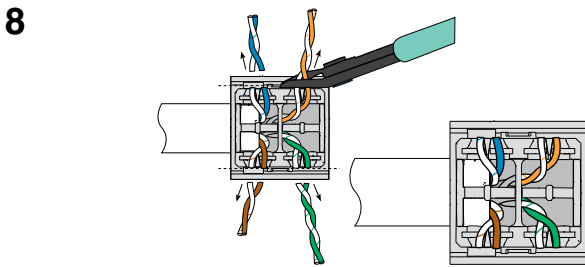
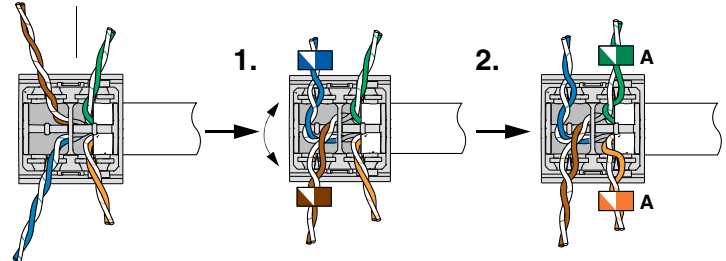
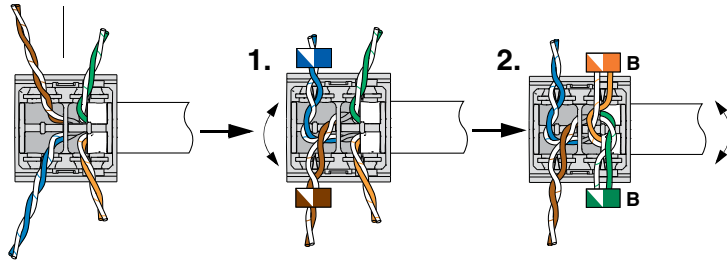
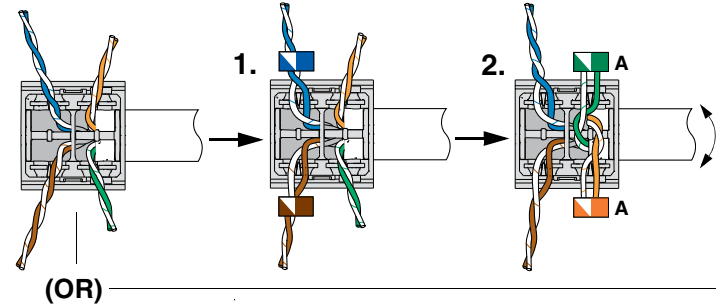
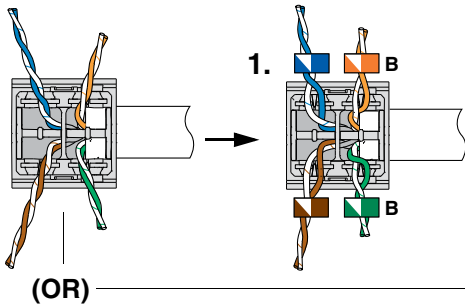
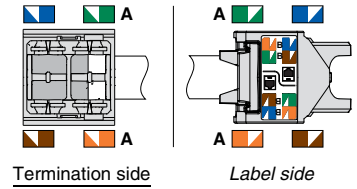


Left Orientation

7 T568B Wiring

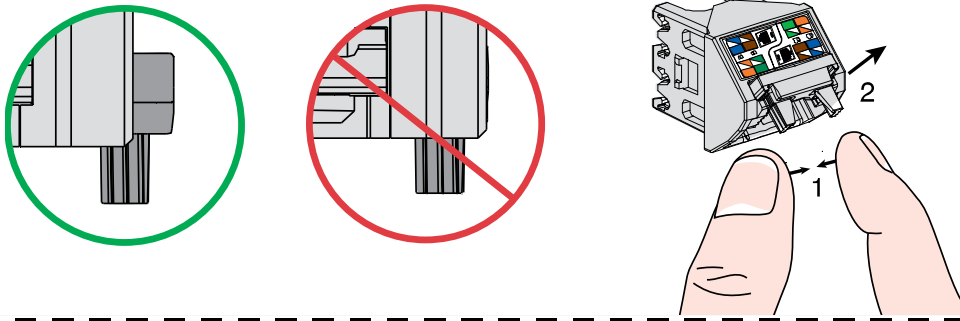


T568A Wiring T568A not shown on wire map label



Right Orientation

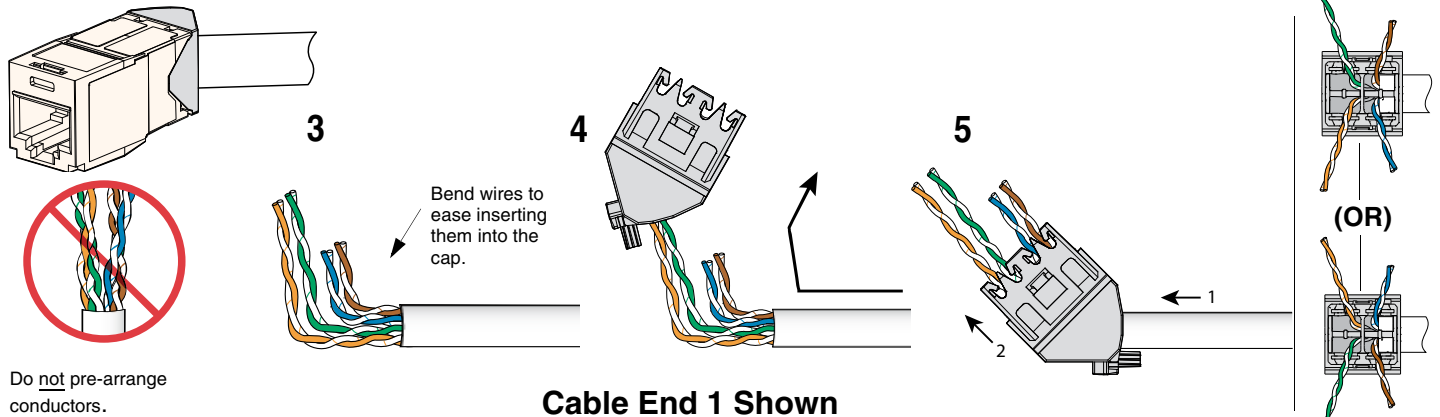
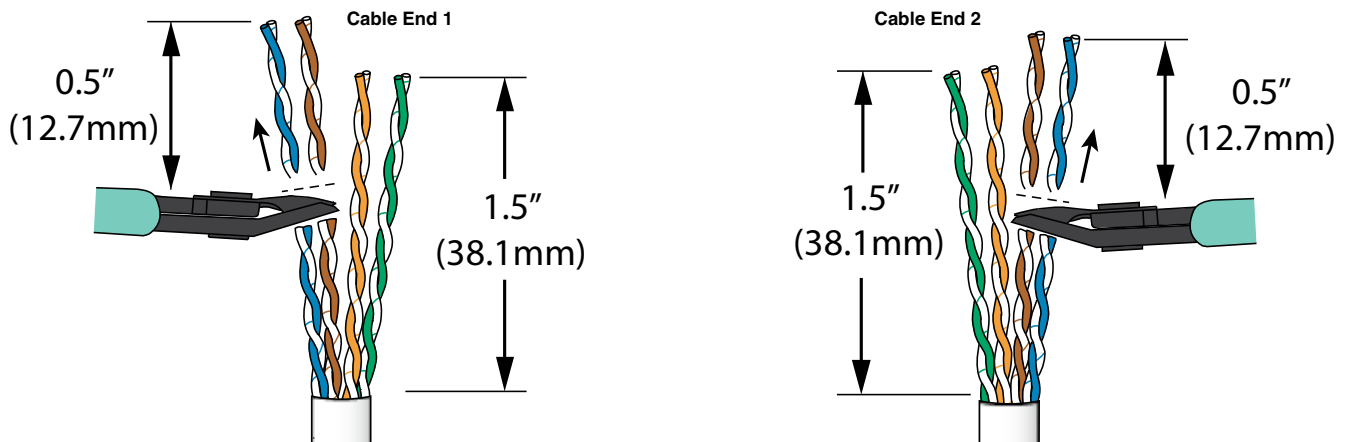
1



IMPORTANT!:

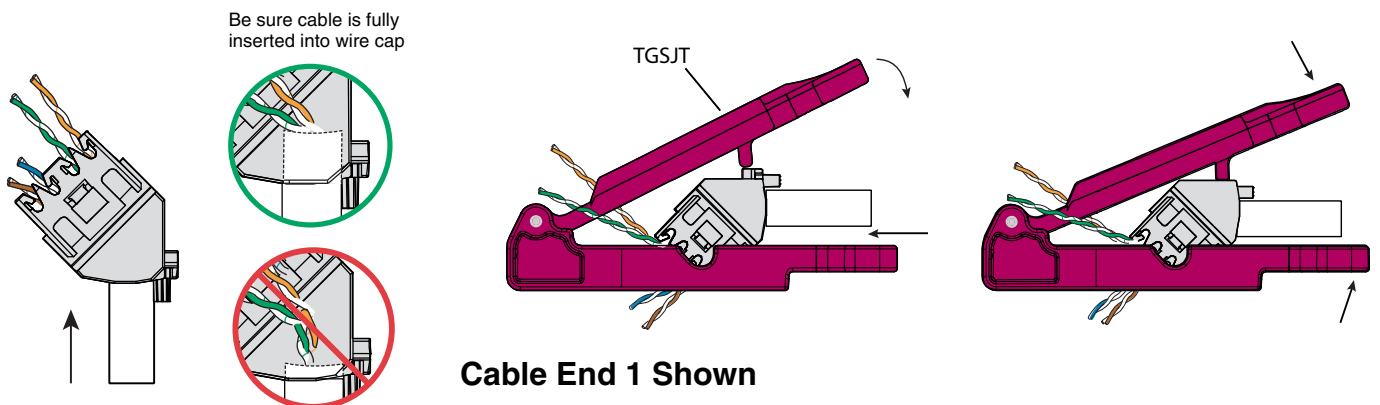
Be sure that strain relief is fully retracted before inserting cable.

2



Cable End 1 Shown

6

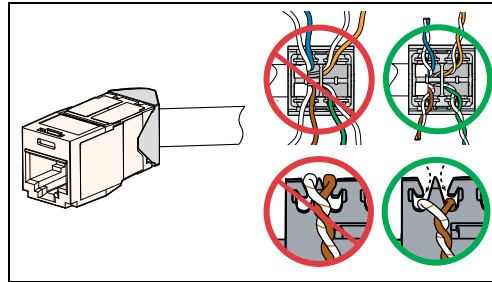
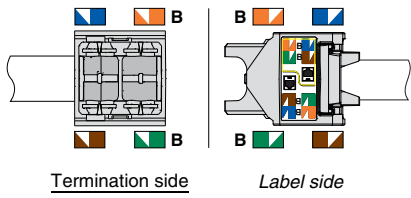


Cable End 1 Shown

Right Orientation

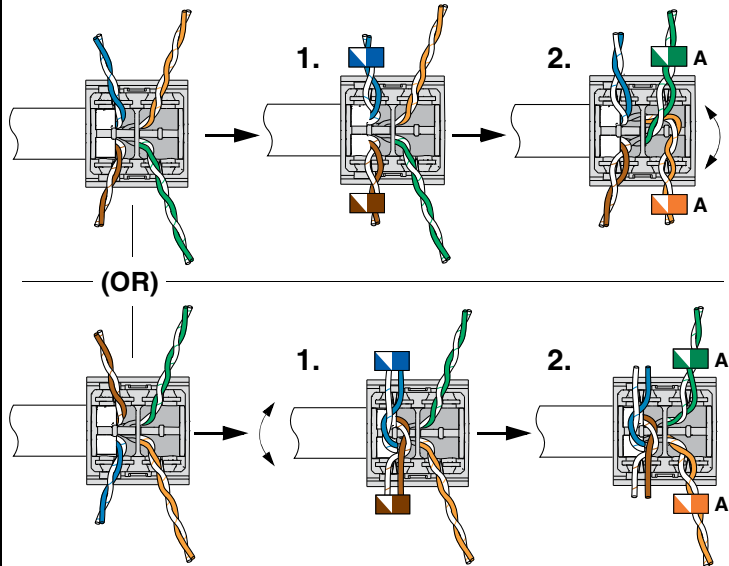
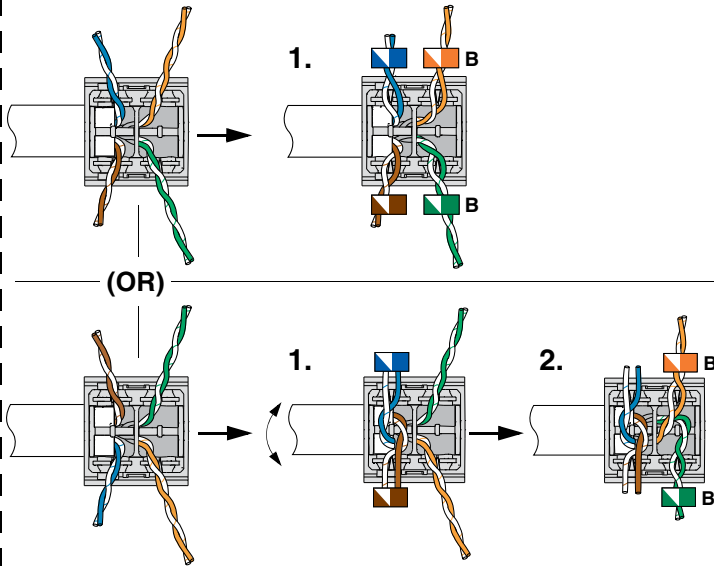
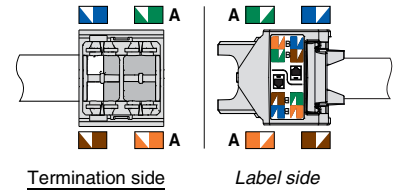
7

T568B Wiring

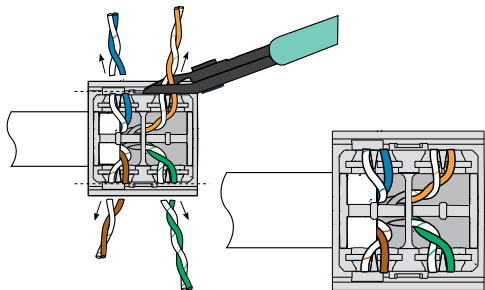


T568A Wiring

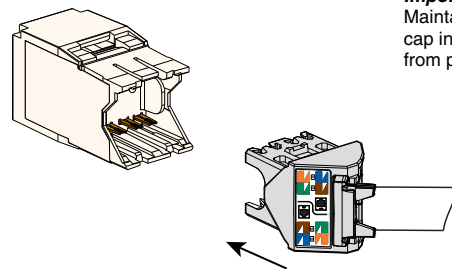
T568A not shown on wire map label



8

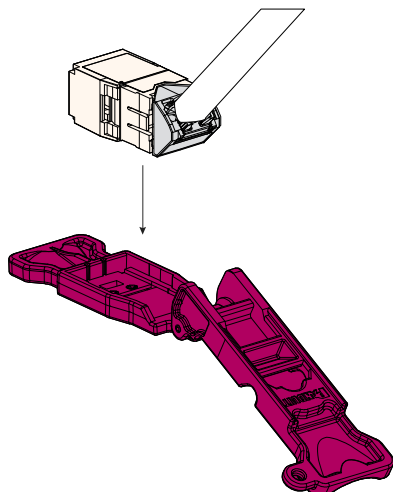


9

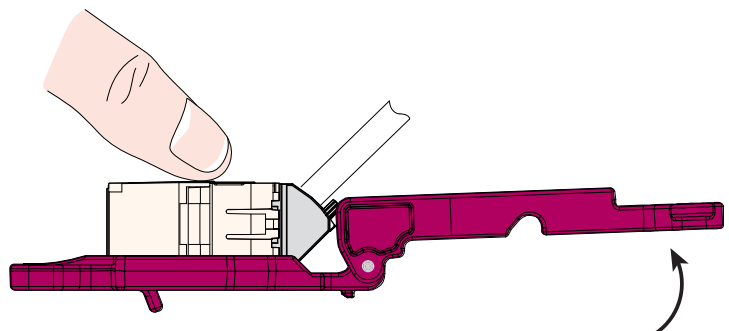


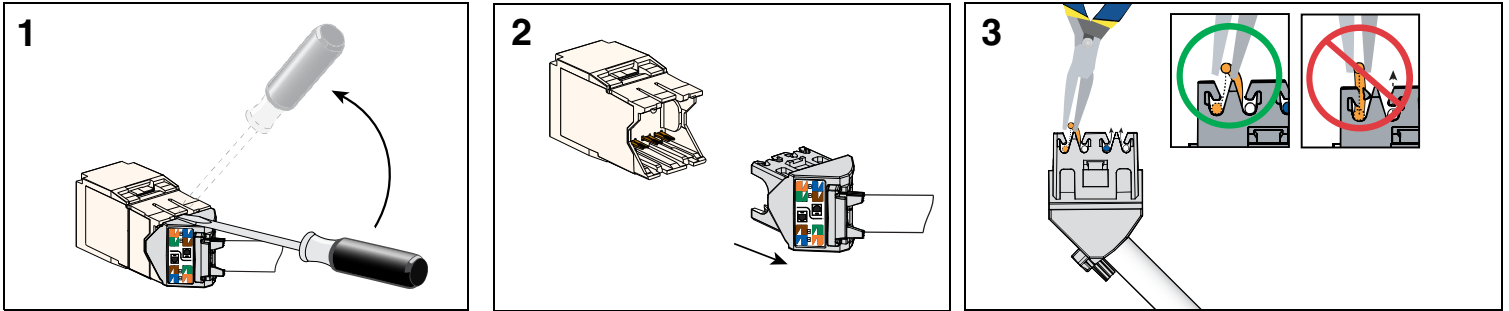
Important!
Maintain orientation of cap in relation to jack from previous steps.

10



11



REMOVAL STEPS**Notes:**

1. For specified performance, follow TIA/EIA 568-C installation guidelines.
2. Jack Modules can terminate 22-26 AWG solid data cable with 0.062" (1.57mm) maximum insulated conductor outside diameter.
3. Jack Modules may be re-terminated at least 20 times.
4. For technical and performance information, consult Panduit Technical Support.

As with all Wiring Accessories, the following statements apply:

1. Never install communications wiring during a lightning storm.
2. Never install communications wiring in wet locations unless the jack is specifically designed for use in wet locations.
3. Never touch uninsulated communications wiring or terminals unless the communication line has been disconnected at the network interface.
4. Use caution when installing or modifying communication wiring.

For Instructions in Local Languages
and Technical Support:

www.panduit.com/resources/install_maintain.asp

PANDUIT

www.panduit.com

E-mail:
techsupport@panduit.com

Phone:
866-405-6654