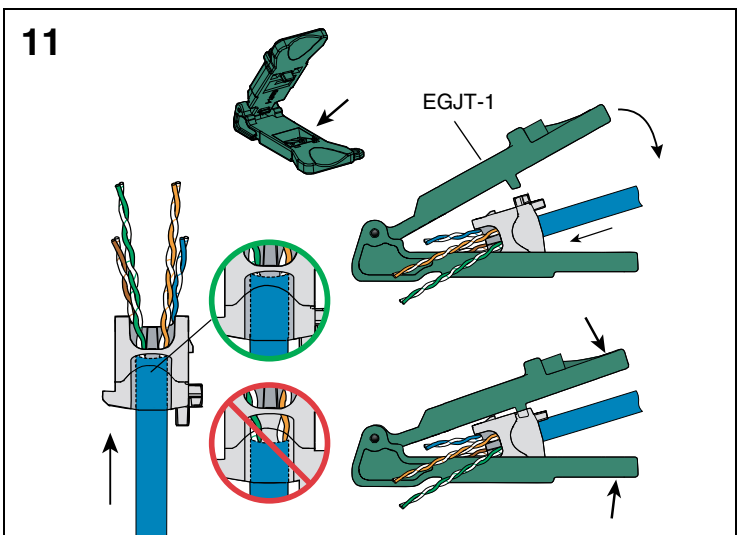
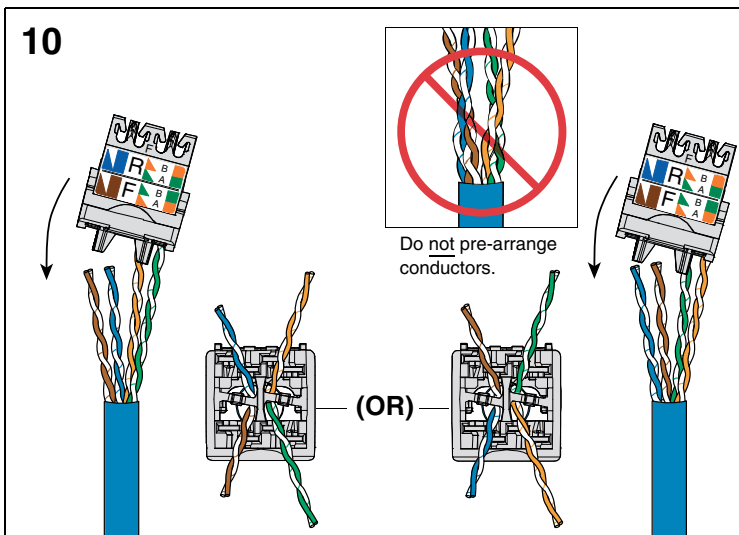
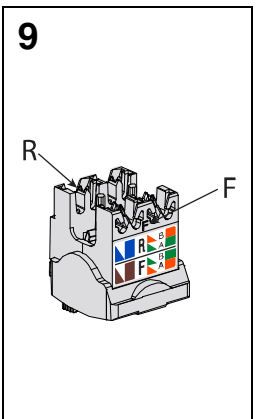
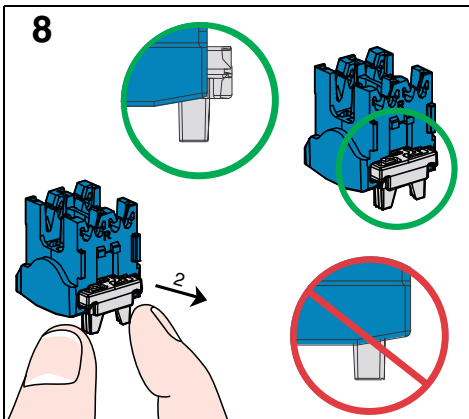
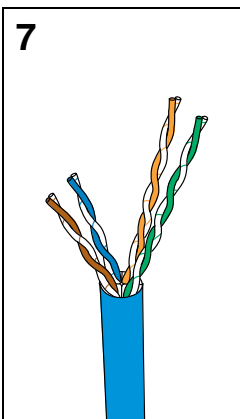
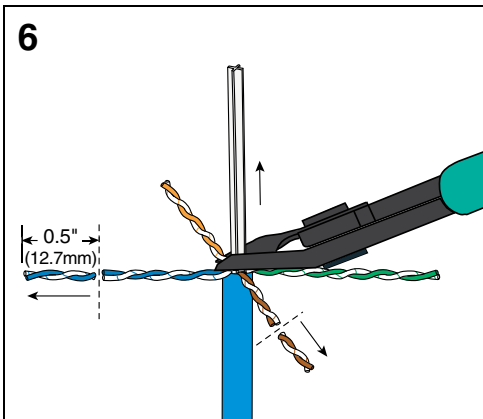
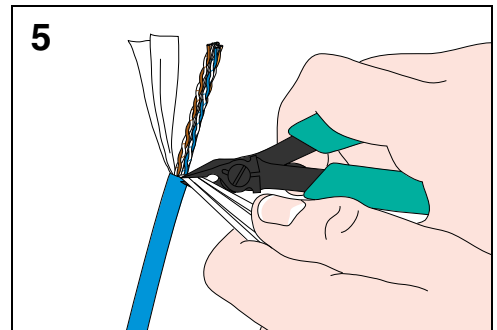
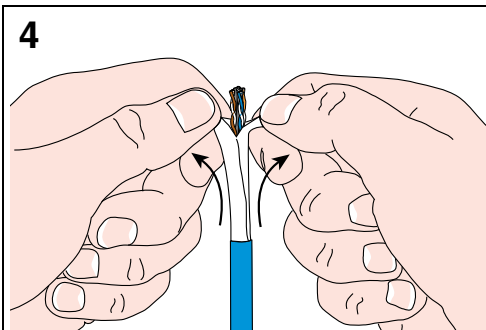
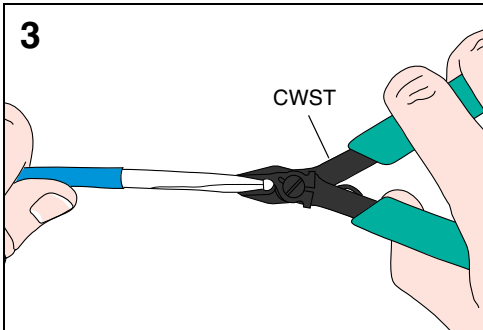
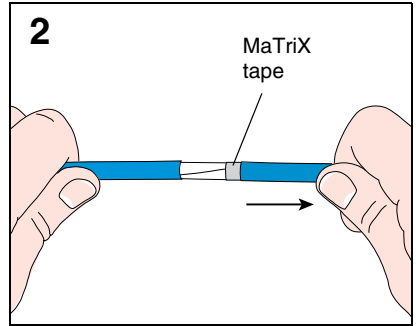
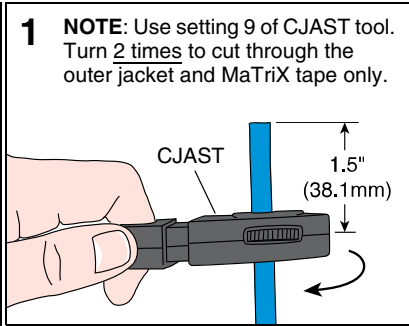


NOTE:
Steps 1-5 show cable preparation method for TX6A and TX6A-SD Cable with MaTriX Technology



12 T568B Wiring

Diagram 12 illustrates the T568B wiring scheme. It shows a color-coded legend with pairs (R, B), (F, B), and (R, B). Two alternative wiring sequences are provided: Sequence 1 shows wires being inserted into the jack in a specific order, and Sequence 2 shows a different order. Red circles with slashes indicate incorrect wiring configurations, while green circles indicate correct ones.

12 T568A Wiring

Diagram 12 illustrates the T568A wiring scheme. It shows a color-coded legend with pairs (R, A), (F, A), and (R, A). Two alternative wiring sequences are provided: Sequence 1 shows wires being inserted into the jack in a specific order, and Sequence 2 shows a different order. Red circles with slashes indicate incorrect wiring configurations, while green circles indicate correct ones.

13

Diagram 13 shows the process of stripping the outer jacket of the cable using a utility knife. The diagram shows the knife being used to cut the jacket, which is then peeled back.

14

Diagram 14 shows the process of stripping the individual conductors of the cable. The diagram shows the conductors being stripped back to the required length.

15

Diagram 15 shows the process of inserting the cable into the EGJT-1 plug module. The diagram shows the cable being inserted into the module, and the module being closed.

REMOVAL STEPS

1

Diagram 1 shows the process of removing the plug module from the cable. The diagram shows the plug module being pulled away from the cable.

2

Diagram 2 shows the process of removing the plug module from the cable. The diagram shows the plug module being pulled away from the cable.

3

Diagram 3 shows the process of removing the plug module from the cable. The diagram shows the plug module being pulled away from the cable. Red circles with slashes indicate incorrect removal methods, while green circles indicate correct ones.

Notes:

1. For specified performance, follow TIA/EIA 568-C installation guidelines.
2. Plug module can terminate 22-26 AWG solid or stranded IWC data cable with 0.062" (1.57mm) maximum insulated conductor outside diameter.
3. Plug module may be re-terminated a minimum of 20 times.
4. For technical and performance information, consult Panduit technical support.

As with all Wiring Accessories, the following statements apply:

1. Never install communications wiring during a lightning storm.
2. Never install communications wiring in wet locations unless the plug is specifically designed for use in wet locations.
3. Never touch uninsulated communications wiring or terminals unless the communication line has been disconnected at the network interface.
4. Use caution when installing or modifying communication wiring.

For Instructions in Local Languages and Technical Support:

www.panduit.com/resources/install_maintain.asp

PANDUIT

www.panduit.com

E-mail: techsupport@panduit.com

Phone: 866-405-6654