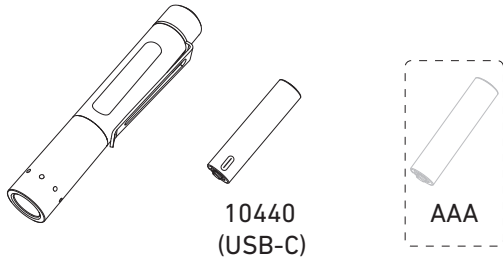
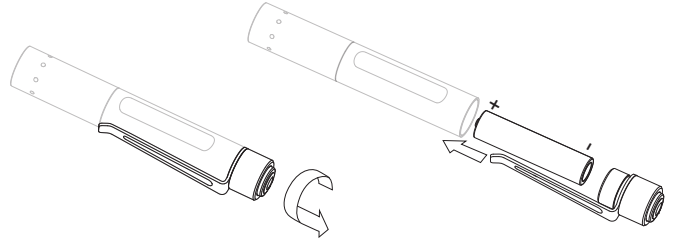


# LEDLENSER P2R/P4/P4R

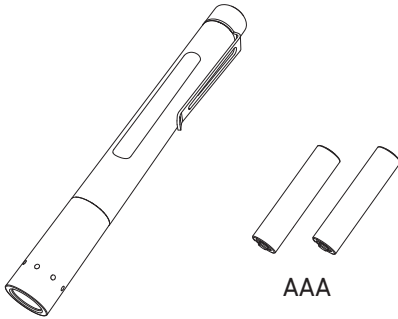
P2R



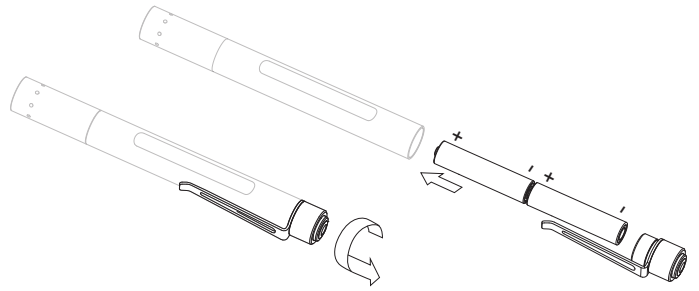
Battery Replacement



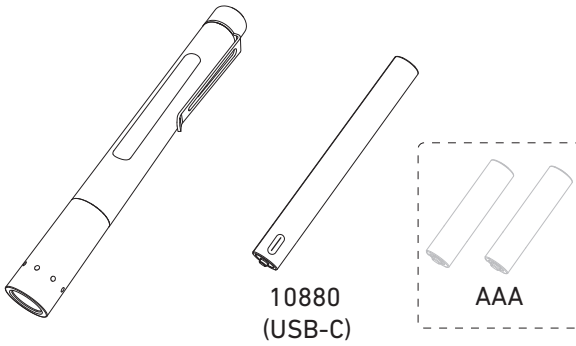
P4



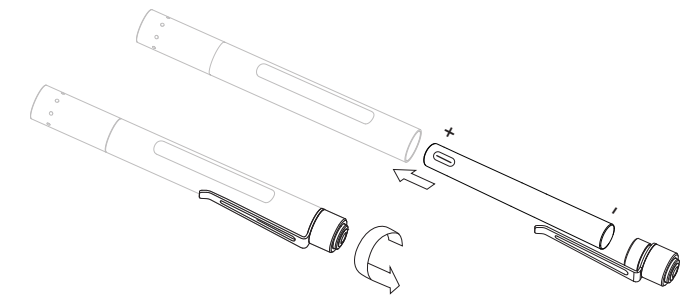
Battery Replacement



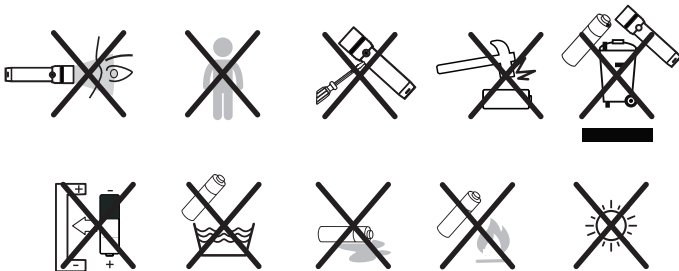
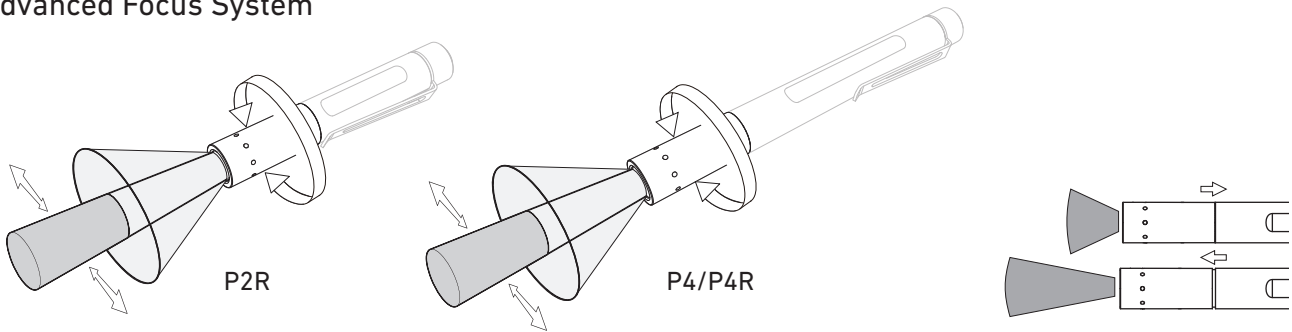
P4R



Battery Replacement



Advanced Focus System



**Ledlenser GmbH & Co. KG**  
 Kronenstr. 5-7, 42699 Solingen, Germany  
 Phone +49 212/5948-0 Fax +49 212/5948-200

 [www.ledlenser.com](http://www.ledlenser.com)



# LEDLENSER P2R/P4/P4R

## Operation

