

REV	DATE	MODIFICATION	DRAWN
B	2017/10/12	5.24台阶减投变更	Zach
	2017/11/16	取消前端台阶与线孔增加弧形	

SPECIFICATIONS

1. ELECTRICAL:

UL APPLICATIONS: 250 VOLTS AC MAX. AT 2 AMPS.
 DIELECTRIC WITHSTANDING VOLTAGE: 1000 VOLTS AC, 60 SEC.
 INSULATION RESISTANCE: 500 MΩ.
 CONTACT RESISTANCE: 20mΩ MAX.
 OPERATING AMBIENT TEMPERATURE: -20°C ~ 75°C.

2. MECHANICAL:

STRAIN RELIEF: 20POUND MIN.
 DURABILITY: 1200 MATING CYCLES.

3. MATERIAL:

HOUSING: POLYCARBONATE, UL94V-0 OR UL94V-2.
 COLOR: TRANSPARENT OR OTHER COLOR ARE AVAILABLE.
 CONTACT BLADE: COPPER ALLOY.
 GOLD PLATING: 3u"-50u", ARE AVAILABLE.

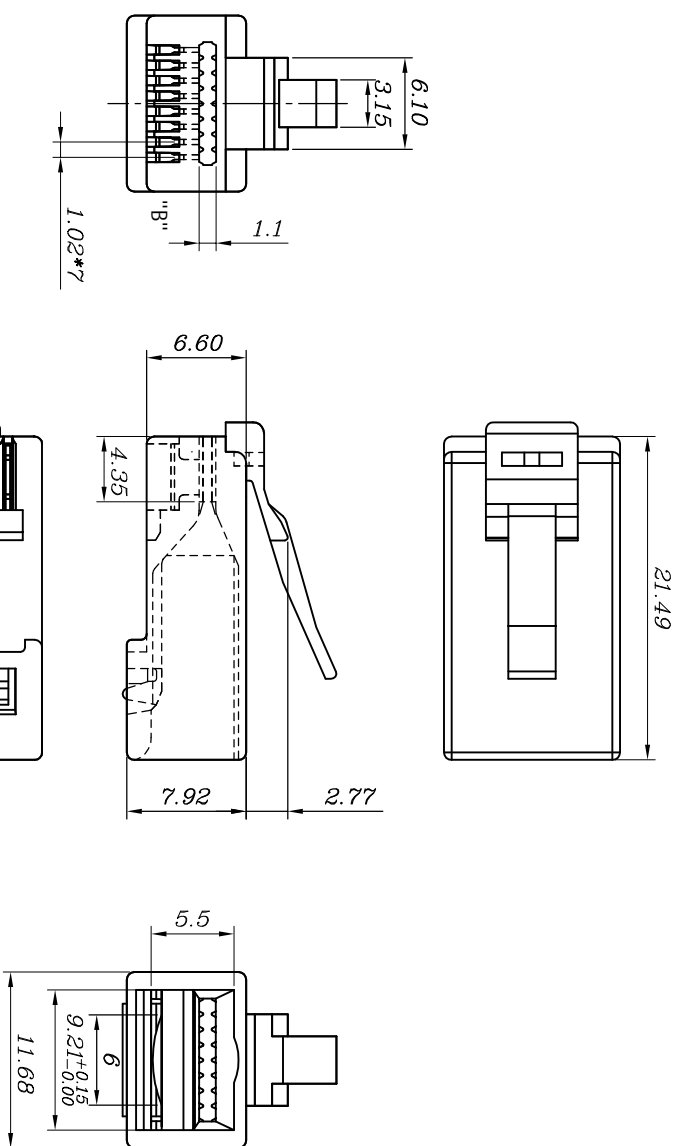
4. USAGE:

SUITABLE FOR STRANDED & SOLID WIRE 23AWG ~ 26 AWG.
 (It can be used for the wire OD from Ø 0.93 ~ Ø1.04)

规范

1. 电器特性:
 UL应用: 250 VOLTS AC, 最大 2 AMPS
 耐电压: 1000 VOLTS AC, 60秒
 绝缘阻抗: 500 百万欧姆,
 接触阻抗: 小于 20 毫欧姆
 工作环境温度: -20 °C ~ 75°C.
2. 机械特性:
 拉力测试: 大于 20磅,
 插拔测试: 大于 1200 次.
3. 材质:
 塑胶体: 聚碳酸酯, UL-94V-0 或 UL94V-2.
 颜色: 透明, 或依客户需求
 金片: 铜合金,
 镀金厚度: 3u"-50u", 皆可提供.
4. 适用线材:
 多股线 & 单股线, 23AWG ~ 26AWG 均适用.
 (芯线直径: Ø0.93 ~ Ø1.04 均可适用)

客户用产品图



BLADE:	E	EB	Y	YB	Z	A	AE	AB	EC
Drawing									
Mark					✓				
GOLD PLATING	3Mu"	3u"	6u"	15u"	30u"	50u"	CABLE TYPE	ROUND	FLAT
Mark					✓		Mark		✓

EXW		宁波卓新通讯插件有限公司	
NINGBO EXCELLENCE COMMUNICATED CONNECTOR CO.,LTD			
DIMENSION IN mm (Inch)	MATERIAL	图号	DWG NO.
TOLERANCE UNLESS OTHERWISE SPECIFIED	PC	PLUG-446-0001	
.X±0.20		名称	TITLE
.XX±0.10		P88FZ50V2 (线孔长4.35通孔)	
.X°±5°		比例	SCALE
.XX°±2°		2/1	
审核	核对	制图	张数
沈红波	钟均江	Cathyli	1/1
Approval	CHECKED	DATE	修改
			B