

DH-PFB110W

Wall Mount Bracket



Features

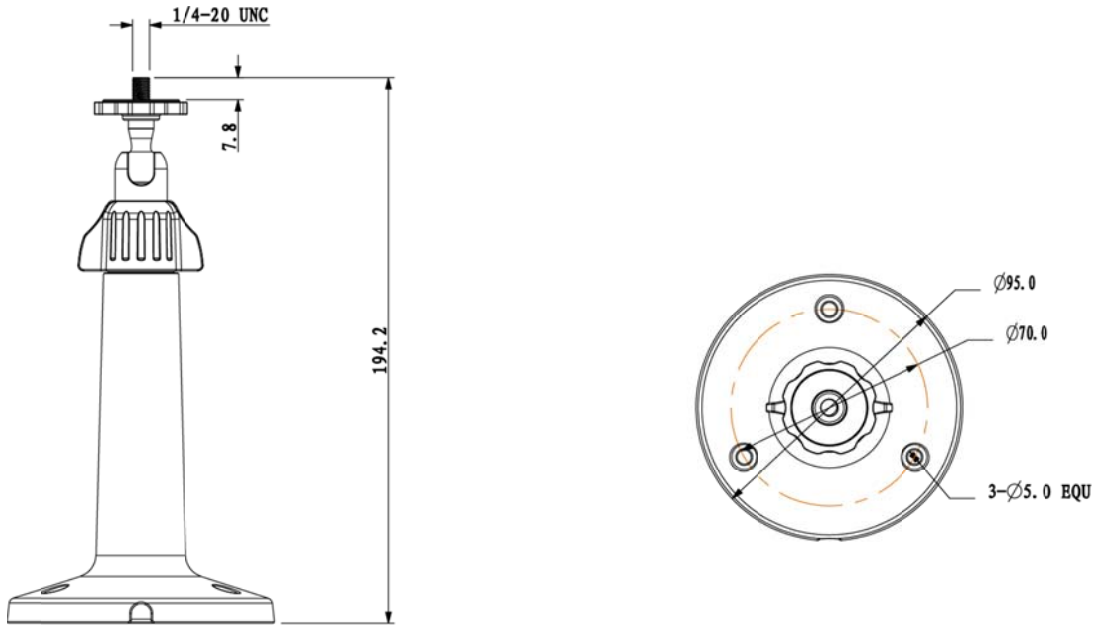
- Material: Aluminum
- Wall Mount/Plane Mount/Ceiling Mount Bracket
- Neat & Integrated design

Specifications

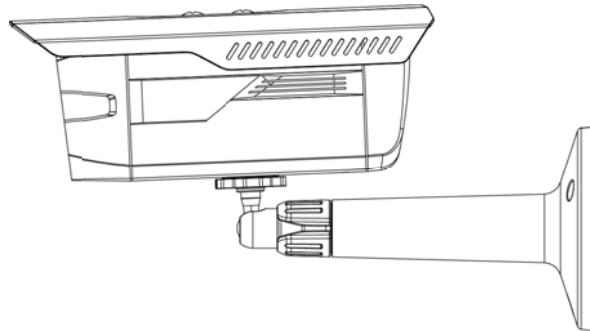
| Model | DH-PFB110W |
|-----------------------|--------------|
| General | |
| Material | Aluminum |
| Dimension (W x H x D) | ø95mmx 195mm |
| Pipe Thread | 1/4"-20 UNC |
| Operating Temperature | -40°C~60°C |
| Humidity | 0~90% RH |
| Load Bearing | 1.0Kg |
| Weight | 0.2kg |
| Color | White |

DH-PFB110W

Dimensions (mm)



Application



Dahua Technology Co., Ltd.

1199BinAn Road, Binjiang District, Hangzhou, China

Tel: +86-571-87688883

Fax: +86-571-87688815

Email: overseas@dahuatech.com

www.dahuasecurity.com

*Design and specifications are subject to change without notice.

© 2013Dahua Technology Co., Ltd.