

BSH clips are rubber lined universal clips for mounting pipes to the wall or ceiling.

Advantages

- Clip with handy, quick closing mechanism.
- Close fitting possible.
- Bolt with slot and cross head.
- Suitable for high loads and temperatures.

Technical Specifications

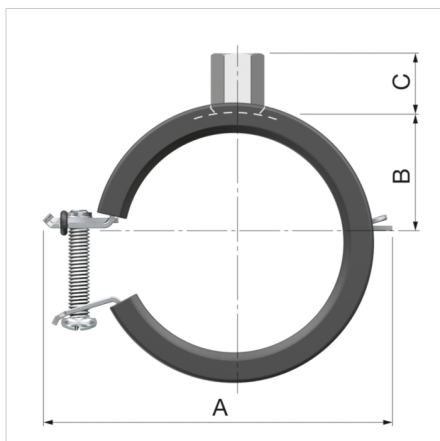
- Noise suppressing rubber lining: 15 dB(A) according to ISO 3822-1.

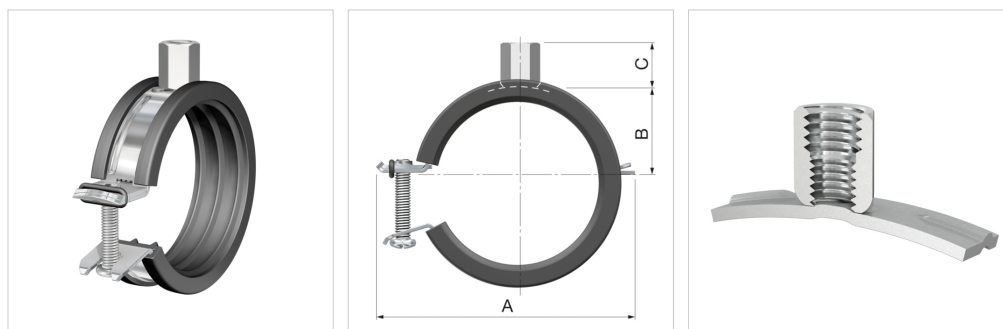
To achieve maximum sound suppression do not overload the fitting.

- Safety margin for minimal breaking load (V) = 3.
- Clip: electrolytically zinc plated.
- BSH clips are compatible with pipe sizes as per DIN 2448 and DIN EN 1057.
- With halogen-free inlay.
- Equipped with Philips / slotted head screws.



Description	Flamco BSH clip M8-M10 x 75-80	
Order Code	38372	
GTIN	05022050198266	
Model	<u>BSH Clips</u>	
Ø Pipe	Ext. dia. [mm]	75 - 80
	Nom. ["]	2 ½
Connection	M 8/10	
Strip dimensions [mm]	20 x 2.0	
Max. working load [N]	1300	
Dimensions	A [mm]	116
	B [mm]	40.0
	C [mm]	15





Classification General Data

Etim Group	
Etim Class	
Product Name	
Brand	COMAP
Product Type	
Order Code	38372
GTIN	05022050198266

Find more information online:

[cert.bsh-iso3822-1.pdf](#)

[BSH M 8/10 REVIT](#)

[BSH M 8/10 ADSK](#)

[BSH M 8/10 DWG](#)

[BSH M 8/10 IPT](#)

[BSH M 8/10 STEP](#)

[Thermal length change](#)

[Dimensions and weights of tubes](#)

[Packaging data](#)

[FlamcoFix BSI vs. BSH | Which is the fastest to mount a pipe](#)