

BSH clips are rubber lined universal clips for mounting pipes to the wall or ceiling.

Advantages

- Clip with handy, quick closing mechanism.
- Close fitting possible.
- Bolt with slot and cross head.
- Suitable for high loads and temperatures.

Technical Specifications

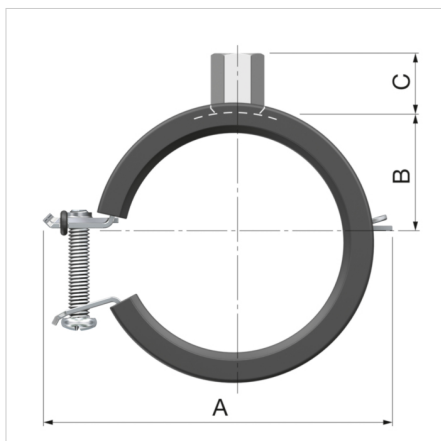
- Noise suppressing rubber lining: 15 dB(A) according to ISO 3822-1.

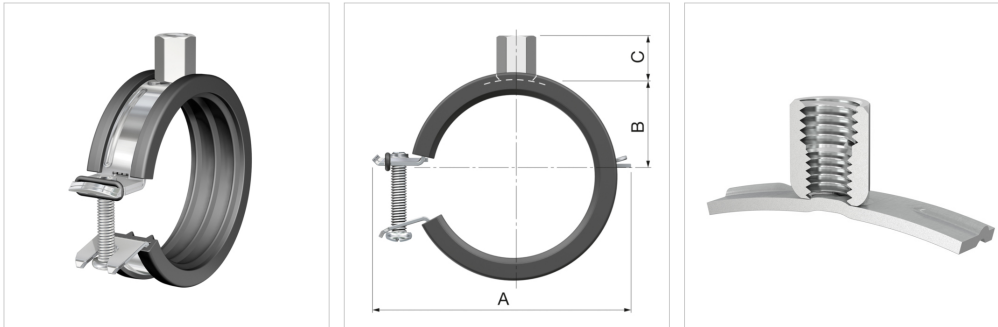
To achieve maximum sound suppression do not overload the fitting.

- Safety margin for minimal breaking load (V) = 3.
- Clip: electrolytically zinc plated.
- BSH clips are compatible with pipe sizes as per DIN 2448 and DIN EN 1057.
- With halogen-free inlay.
- Equipped with Philips / slotted head screws.



Description	Flamco BSH clip M8-M10 x 108-116	
Order Code	38376	
GTIN	08712874383760	
Model	<u>BSH Clips</u>	
Ø Pipe	Ext. dia. [mm]	108 - 116
	Nom. ["]	4
Connection	M 8/10	
Strip dimensions [mm]	20 x 2.5	
Max. working load [N]	1300	
Dimensions	A [mm]	156
	B [mm]	58.0
	C [mm]	15





Classification General Data

Etim Group	Mounting material for ducts and pipes
Etim Class	One-piece bracket
Product Name	FlamcoFix BSH clip M8-M10 x 108-116
Brand	FLAMCO
Product Type	Universal Clips with Lining
Order Code	38376
GTIN	08712874383760

Attributes

Material	Steel
Surface protection	Galvanic/electrolytic zinc plated
Outer pipe diameter	108 - 116 mm
Shape	Bracket/wall bracket
Inlay	Rubber
Permitted work load	1300 Newton
Inlay damping value	15 Decibel A weighted
Connection facility	Internal thread
Connection size, connection facility	M8/M10
Flexible connection facility	No
Lock facility	Click in mounting
KIWA certified	No
Permitted by NCP	No
FM quality mark	No
UL quality mark	No
VdS quality mark	No
ULC quality mark	No
LPCB quality mark	No
Suitable for steel tube	Yes
Suitable for thin-walled pipe	Yes
Suitable for stainless steel tube	Yes
Suitable for copper tube	Yes
Suitable for aluminium tube	Yes
Suitable for cast iron pipe	Yes
Suitable for plastic tube	Yes
Suitable for pipe coil	No
Max. medium temperature (continuous)	120 Degrees celsius
Min. medium temperature (continuous)	-40 Degrees celsius

Find more information online:[cert.bsh-iso3822-1.pdf](#)[BSH M 8/10 REVIT](#)[BSH M 8/10 ADSK](#)[BSH M 8/10 DWG](#)[BSH M 8/10 IPT](#)[BSH M 8/10 STEP](#)[Thermal length change](#)[Dimensions and weights of tubes](#)[Packaging data](#)[FlamcoFix BSI vs. BSH | Which is the fastest to mount a pipe](#)