

BSI clips are rubber lined universal clips for mounting pipes to the wall or ceiling.

#### Advantages

- Fitted with two bolts with anti-loss ring.
- Bolt with slot and cross head.
- Reinforcement grooves ensure that BSI clips maintain their shape.

#### Technical Specifications

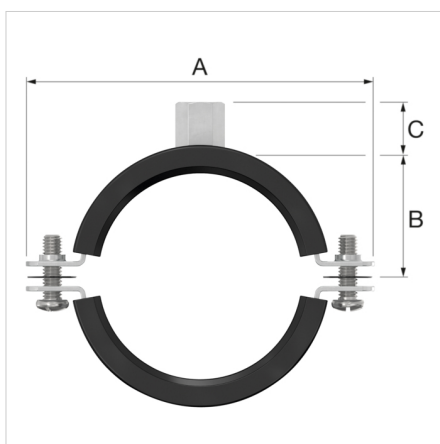
- Noise suppressing rubber lining (EPDM): 17 dB(A) according to ISO 3822-1.

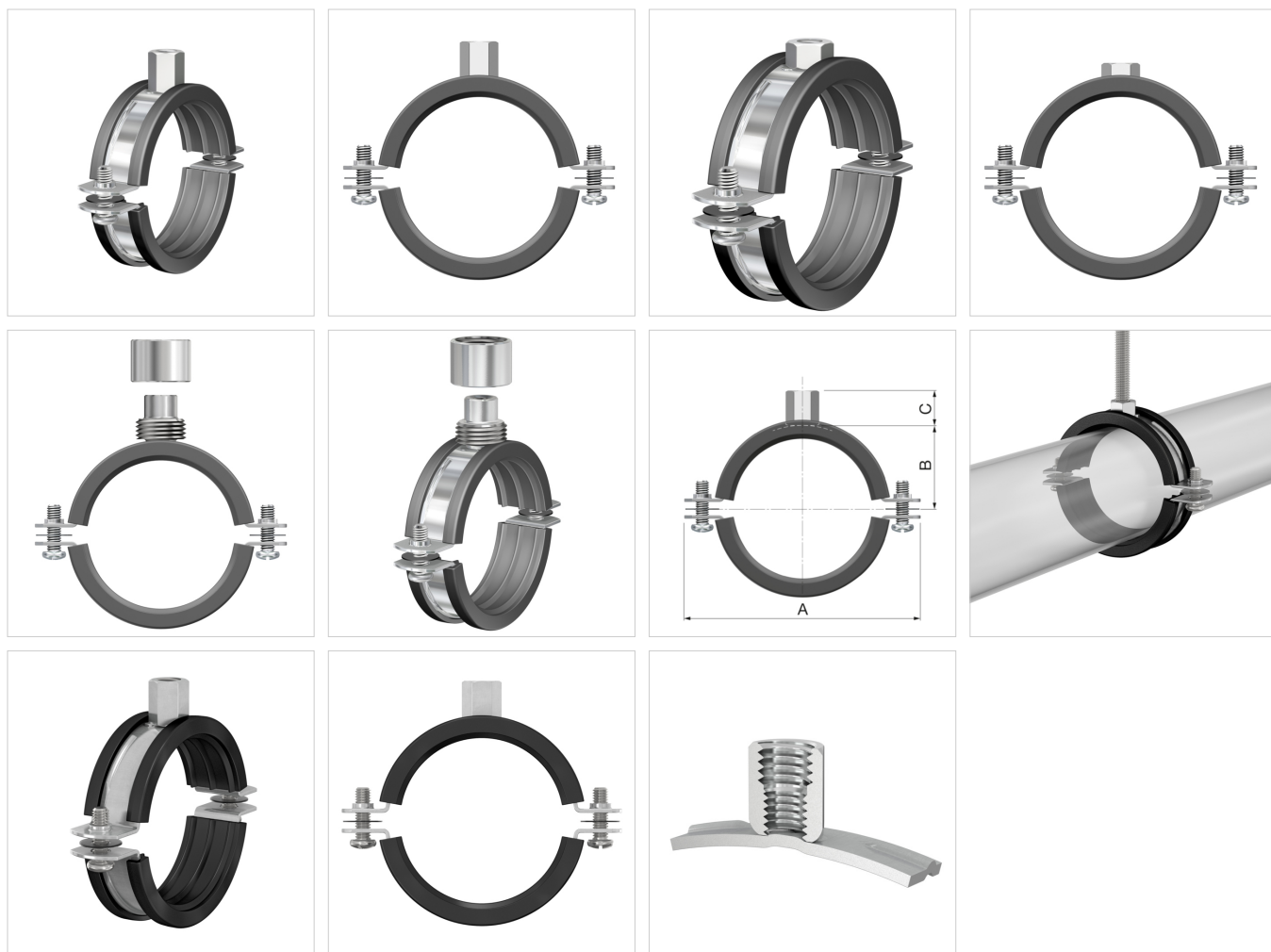
To achieve maximum sound suppression do not overload the fitting.

- Safety margin for minimal breaking load (V) = 3.
- Clip: Electrolytically zinc plated.
- Suitable for temperatures from -40 °C up to +120 °C.
- BSI clips are compatible with pipe sizes according to DIN 2448 and DIN EN 1057.
- With halogen-free inlay.
- Equipped with Philips / slotted head screws.



Description	Flamco BSI clip M8-M10 x 44-49	
Order Code	39006	
GTIN	08712874390065	
Model	<u>BSI Clips</u>	
Ø Pipe	Ext. dia. [mm]	44 - 49
	Nom. ["]	1 ½
Connection	M8/10	
Strip dimensions [mm]	20 x 1.5	
Max. working load [N]	1000	
Dimensions	A [mm]	94
	B [mm]	33
	C [mm]	16





**Classification General Data**

<b>Etim Group</b>	Mounting material for ducts and pipes
<b>Etim Class</b>	Two-part bracket round
<b>Product Name</b>	FlamcoFix BSI clip M8-M10 x 44-49
<b>Brand</b>	FLAMCO
<b>Product Type</b>	Universal Clips with Lining
<b>Order Code</b>	39006
<b>GTIN</b>	08712874390065

**Attributes**

<b>Material</b>	Steel
<b>Surface protection</b>	Galvanic/electrolytic zinc plated
<b>Layer thickness surface protection</b>	13 Micrometre
<b>Nominal diameter</b>	1 1/2 inch (40)
<b>Outer pipe diameter</b>	44 - 49 mm
<b>Inlay</b>	Rubber
<b>Inlay damping value</b>	17 Decibel A weighted
<b>Permitted work load</b>	1000 Newton
<b>Connection facility</b>	Internal thread
<b>Connection size, connection facility</b>	M8/M10
<b>Lock facility</b>	Double screw
<b>Suitable for number of pipes</b>	1
<b>Width</b>	94 Millimetre
<b>Height</b>	82 Millimetre
<b>KIWA certified</b>	No
<b>Depth</b>	20 Millimetre
<b>Permitted by NCP</b>	No
<b>FM quality mark</b>	No
<b>UL quality mark</b>	No
<b>VdS quality mark</b>	No
<b>ULC quality mark</b>	No
<b>LPCB quality mark</b>	No
<b>Suitable for steel tube</b>	Yes
<b>Suitable for stainless steel tube</b>	Yes
<b>Suitable for copper tube</b>	Yes
<b>Suitable for aluminium tube</b>	No
<b>Suitable for cast iron pipe</b>	Yes
<b>Suitable for plastic tube</b>	Yes
<b>Suitable for pipe coil</b>	No
<b>Max. medium temperature (continuous)</b>	120 Degrees celsius
<b>Min. medium temperature (continuous)</b>	-40 Degrees celsius

**Find more information online:**

- [cert.bsi-iso3822-1.pdf](#)
- [BSI M 8/10 ADSK](#)
- [BSI M 8/10 DWG](#)
- [BSI M 8/10 IPT](#)
- [BSI M 8/10 STEP](#)
- [Thermal length change](#)
- [Dimensions and weights of tubes](#)
- [Packaging data](#)

Washway Lane  
UK-WA10 6PB, St Helens, Merseyside - gb

I [flamcogroup.com/uk-en](http://flamcogroup.com/uk-en)