

BSI clips are rubber lined universal clips for mounting pipes to the wall or ceiling.

Advantages

- Fitted with two bolts with anti-loss ring.
- Bolt with slot and cross head.
- Reinforcement grooves ensure that BSI clips maintain their shape.

Technical Specifications

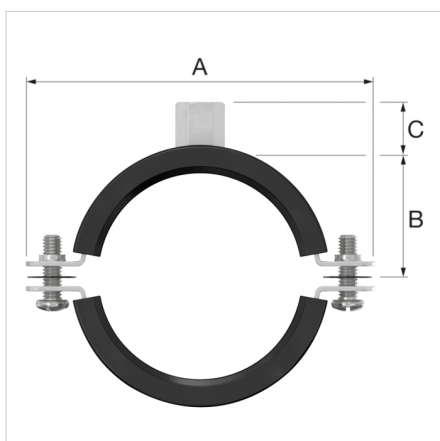
- Noise suppressing rubber lining (EPDM): 17 dB(A) according to ISO 3822-1.

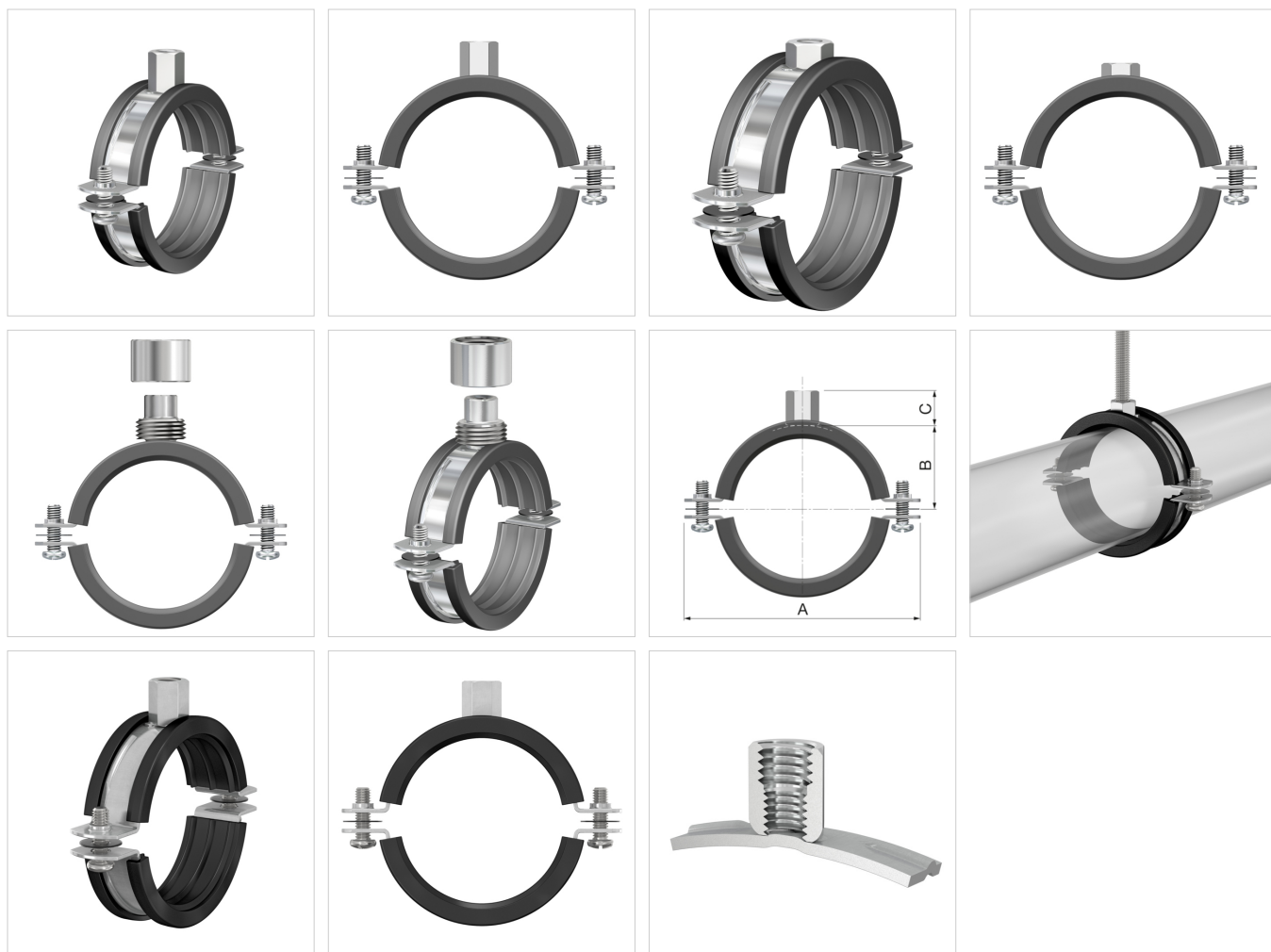
To achieve maximum sound suppression do not overload the fitting.

- Safety margin for minimal breaking load (V) = 3.
- Clip: Electrolytically zinc plated.
- Suitable for temperatures from -40 °C up to +120 °C.
- BSI clips are compatible with pipe sizes according to DIN 2448 and DIN EN 1057.
- With halogen-free inlay.
- Equipped with Philips / slotted head screws.



Description	Flamco BSI clip M8-M10 x 75-80	
Order Code	39011	
GTIN	08712874390119	
Model	<u>BSI Clips</u>	
Ø Pipe	Ext. dia. [mm]	75 - 80
	Nom. ["]	2 ½
Connection	M8/10	
Strip dimensions [mm]	20 x 2.0	
Max. working load [N]	1300	
Dimensions	A [mm]	128
	B [mm]	48
	C [mm]	16





Classification General Data

Etim Group	Mounting material for ducts and pipes
Etim Class	Two-part bracket round
Product Name	FlamcoFix BSI clip M8-M10 x 75-80
Brand	FLAMCO
Product Type	Universal Clips with Lining
Order Code	39011
GTIN	08712874390119

Attributes

Material	Steel
Surface protection	Galvanic/electrolytic zinc plated
Layer thickness surface protection	13 Micrometre
Nominal diameter	2 1/2 inch (65)
Outer pipe diameter	75 - 80 mm
Inlay	Rubber
Inlay damping value	17 Decibel A weighted
Permitted work load	1300 Newton
Connection facility	Internal thread
Connection size, connection facility	M8/M10
Lock facility	Double screw
Suitable for number of pipes	1
Width	128 Millimetre
Height	112 Millimetre
KIWA certified	No
Depth	20 Millimetre
Permitted by NCP	No
FM quality mark	No
UL quality mark	No
VdS quality mark	No
ULC quality mark	No
LPCB quality mark	No
Suitable for steel tube	Yes
Suitable for stainless steel tube	Yes
Suitable for copper tube	Yes
Suitable for aluminium tube	No
Suitable for cast iron pipe	Yes
Suitable for plastic tube	Yes
Suitable for pipe coil	No
Max. medium temperature (continuous)	120 Degrees celsius
Min. medium temperature (continuous)	-40 Degrees celsius

Find more information online:

- [cert.bsi-iso3822-1.pdf](#)
- [BSI M 8/10 ADSK](#)
- [BSI M 8/10 DWG](#)
- [BSI M 8/10 IPT](#)
- [BSI M 8/10 STEP](#)
- [Thermal length change](#)
- [Dimensions and weights of tubes](#)
- [Packaging data](#)

Washway Lane
UK-WA10 6PB, St Helens, Merseyside - gb

I flamcogroup.com/uk-en