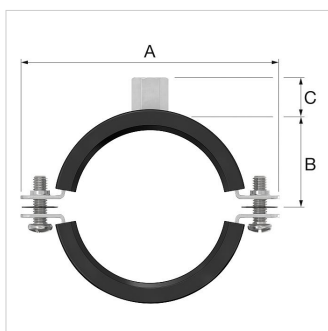


Product Data Sheet (2018-07-16)
39004 - Flamco BSI clip M8-M10 x 32-36


Description		Flamco BSI clip M8-M10 x 32-36
Article		39004
Model		BSI Clips
Ø Pipe	Ext. dia. [mm]	32 - 36
	Nom. ["]	1
Connection		M 8/10
Strip dimensions [mm]		20 x 1.5
Max. working load [N]		1000
Dimensions	A [mm]	81
	B [mm]	26
	C [mm]	16


Packaging info

Unity of use	50 Pieces
Packaging form	Box
Packaging dimensions (H. x W. x L.)	120 x 180 x 270 mm
Weight	4.25 Kilogram



Classification General Data

Etim Group	Fasteners
Etim Class	Two-piece bracket round
Product Name	Flamco BSI clip M8-M10 x 32-36
Brand	Flamco
Product Series	BSI
Product Type	M8-M10 x 32-36

Attributes

Material	Steel
Surface protection	Galvanic/electrolytic zinc plated
Nominal inner diameter	1 inch (25)
Outer pipe diameter [mm]	32 - 36
Inlay	Rubber
Inlay damping value [dB(A)]	17
Permitted net load [N]	1000
Connection facility	Internal thread
Connection size, connection facility	M8/M10
Lock facility	Double screw
Suitable for number of pipes	1
Width [mm]	20
Height [mm]	68
Depth [mm]	81
KIWA certified	No
Permitted by NCP	No
FM quality mark	No
VdS quality mark	No
UL quality mark	No
ULC quality mark	No
LPCB quality mark	No
Suitable for steel tube	Yes
Suitable for stainless steel tube	Yes
Suitable for copper tube	Yes
Suitable for cast iron pipe	Yes
Suitable for plastic tube	Yes
Suitable for pipe coil	No
Max. medium temperature (continuous) [°C]	120
Min. medium temperature (continuous) [°C]	-40

Flamco Limited
 Washway Lane
 WA10 6PB, St Helens, Merseyside - gb
T 017 447 447 44
F 017 447 447 00
E info@flamco.co.uk
I flamcogroup.com/uk-en