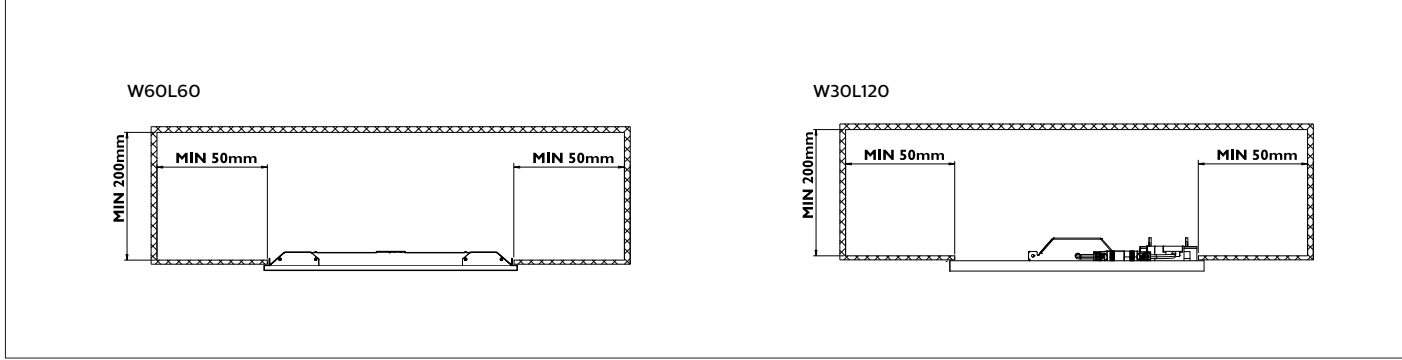
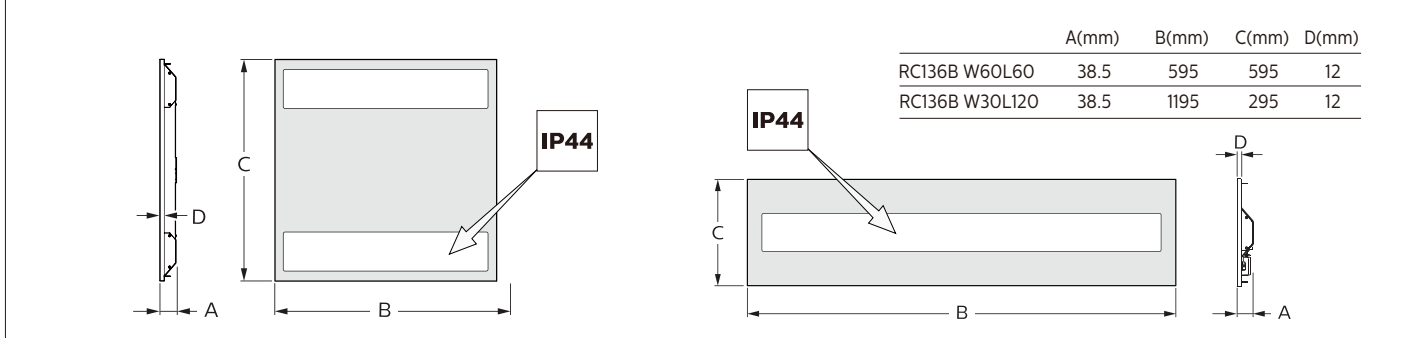


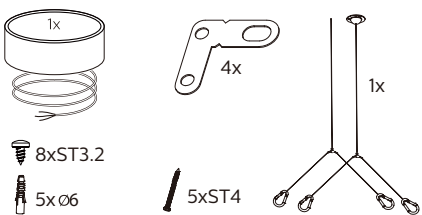
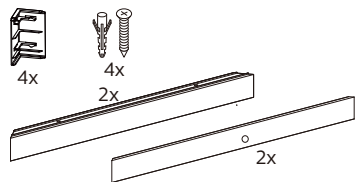
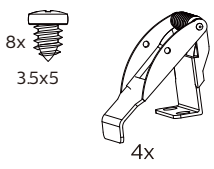
	Power(W)	Lumen output(lm)	Efficacy (lm/W)	Energy efficacy class	CCT (K)	UGR	Class	kg
RC136B G4 34_43_57S/830 PSD W30L120 OC	23*/29/38.5	3400*/4300/5700	148*/148/148	C	3000	19	II	3.0
RC136B G4 34_43_57S/830 PSD W60L60 OC	23*/29/38.5	3400*/4300/5700	148*/148/148	C	3000	19	II	3.1
RC136B G4 36_45_60S/840 PSD W30L120 OC	23*/29/38.5	3600*/4500/6000	157*/155/156	C	4000	19	II	3.0
RC136B G4 36_45_60S/840 PSD W60L60 OC	23*/29/38.5	3600*/4500/6000	157*/155/156	C	4000	19	II	3.1
RC136B G4 36_45_60S/840 PSU W60L60 NOC	23*/29/38.5	3600*/4500/6000	157*/155/156	C	4000	25	II	3.1
RC136B G4 36_45_60S/840 PSU W60L60 OC	23*/29/38.5	3600*/4500/6000	157*/155/156	C	4000	19	II	3.1
RC136B G4 40S/830 WIA W60L60 OC	27.5	4000	145	C	3000	19	II	3.1
RC136B G4 43S/840 WIA W30L120 OC	27.5	4300	156	C	4000	19	II	3.0
RC136B G4 43S/840 WIA W60L60 OC	27.5	4300	156	C	4000	19	II	3.1

* Default setting



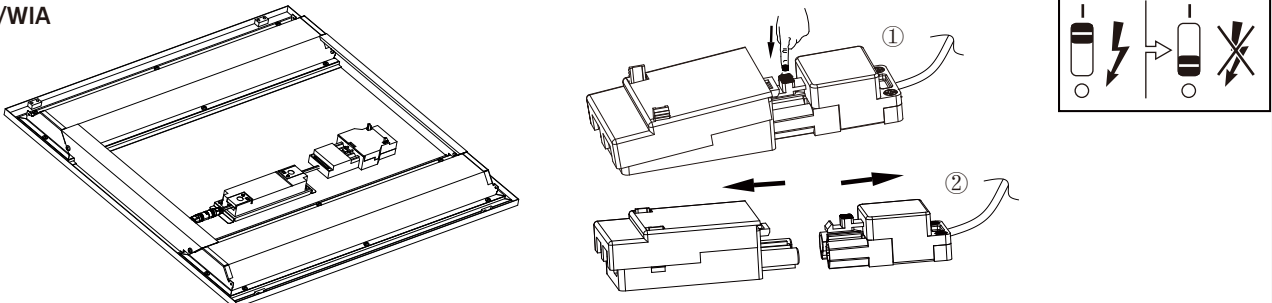


Available as accessory (Need to purchase separately)

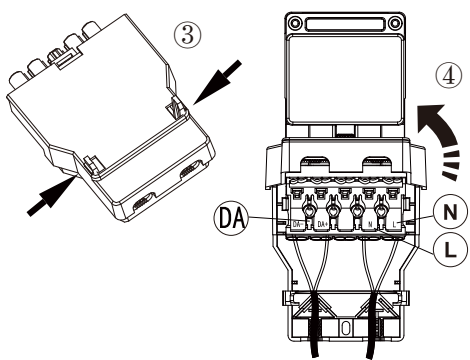
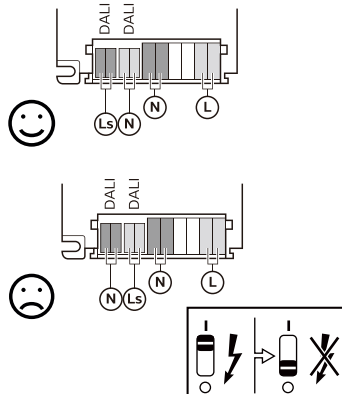
<p>Suspension set: 911401809387 RC159Z Suspension set SME-4 WH 911401809487 RC159Z Suspension set SME-3 WH</p> 	<p>Surface mounted set: 911401807787 RC159Z SMB W60L60 911401807987 RC159Z SMB W30L120</p> 	<p>Plaster ceiling set: 911401809287 RC159Z Plaster Ceiling SMB-PLC</p> 
---	--	---

 **Quick-connectors**

PSU/PSD/WIA

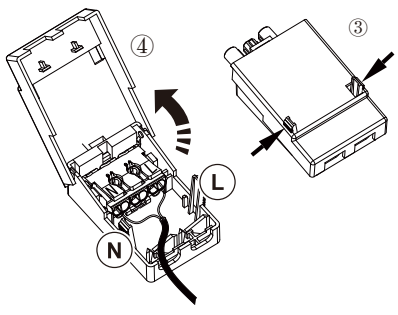
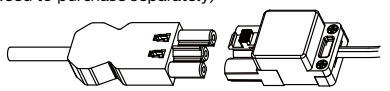
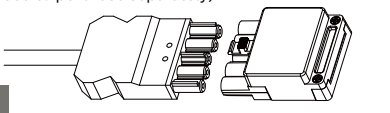


1a

<p>PSD</p>  <p>1b</p>	<p>PSD Touch & Dim</p> 
---	---


60227 IEC52
 4 x 0.75-1.5 mm²
 Ø 6-9mm

basic insulation between LV and control conductors

<p>PSU/WIA</p>  <p>1c</p>	<p>PSU/WIA W3 GST1813S (Need to purchase separately)</p> 
<p>PSD W5 GST1815S (Need to purchase separately)</p> 	<p>2x 0.75mm² Ø6-9mm</p> <p>4x 0.75mm² Ø6-9mm</p>

60227 IEC52
 2 x 0.75-1.5 mm²
 Ø 6-9mm

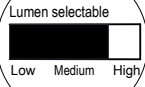
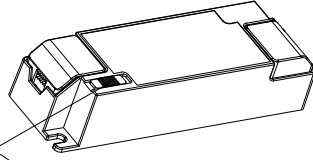
basic insulation between LV and control conductors

 The luminaire shall be installed by a qualified electrician and wired in accordance with the latest IEEE electrical regulations or the national requirements.

Lumen Selection on driver



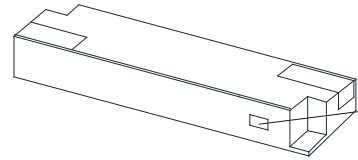
PSU



Pin	3000K CCT (lumen)	4000K CCT (lumen)	Power
Low	3400lm*	3600lm*	23W*
Medium	4300lm	4500lm	29W
High	5700lm	6000lm	38.5W

* Default setting

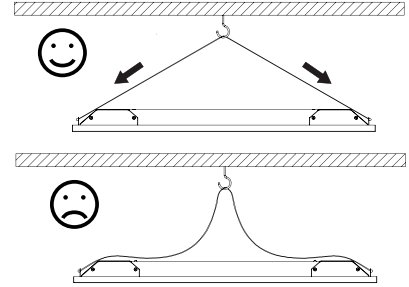
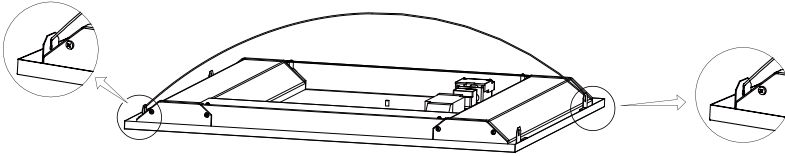
PSD



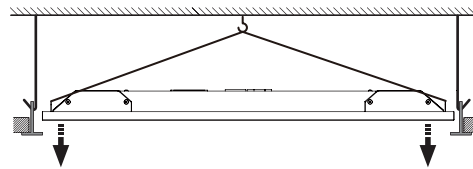
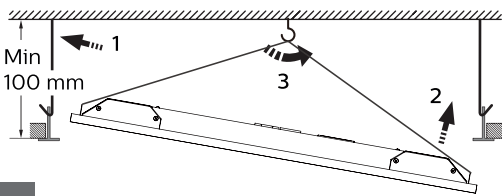
Pin1	Pin2	Pin3	3000K CCT (lumen)	4000K CCT (lumen)	Power
OFF	OFF	ON	3400lm*	3600lm*	23W*
OFF	ON	ON	4300lm	4500lm	29W
ON	OFF	OFF	5700lm	6000lm	38.5W



Safety cable



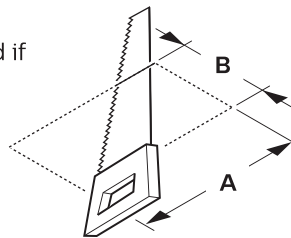
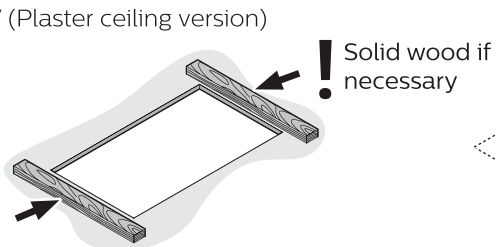
VPC (Visible Profile Ceiling)



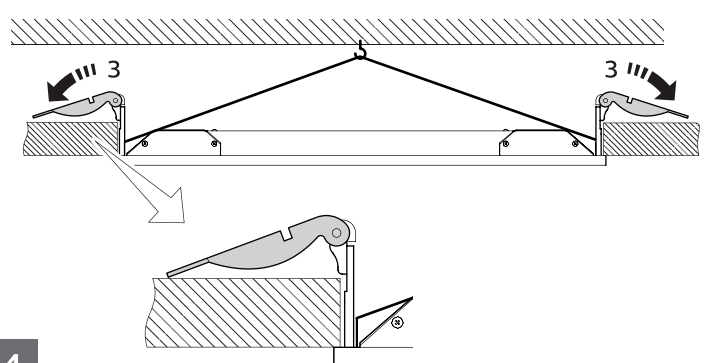
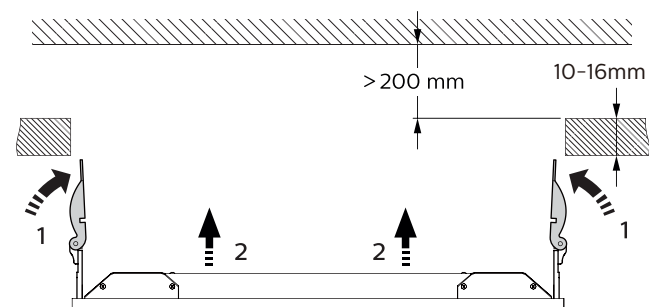
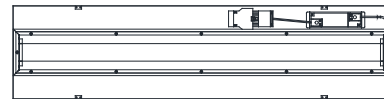
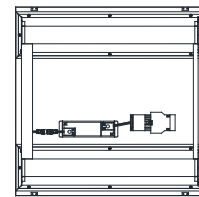
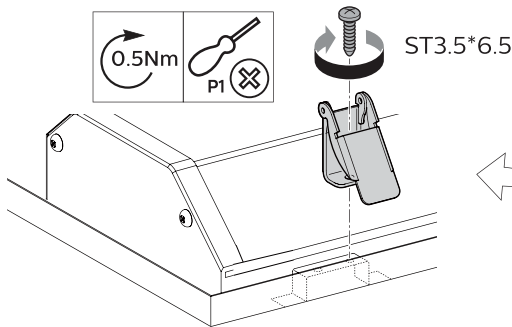
The luminaire shall not be covered with thermal insulation or similar material under any circumstance.



PCV (Plaster ceiling version)



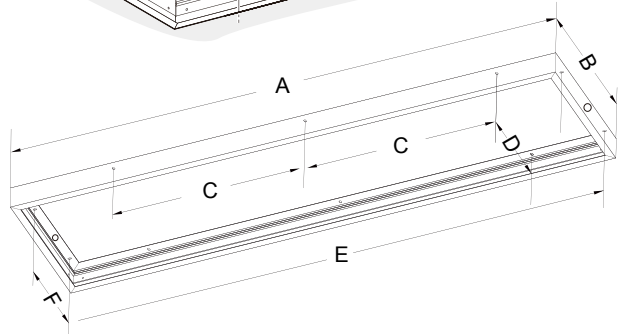
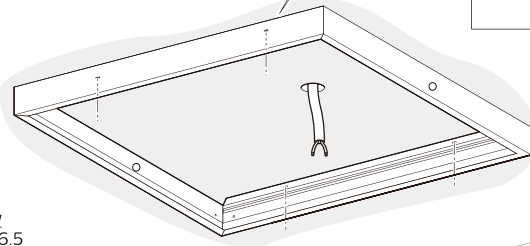
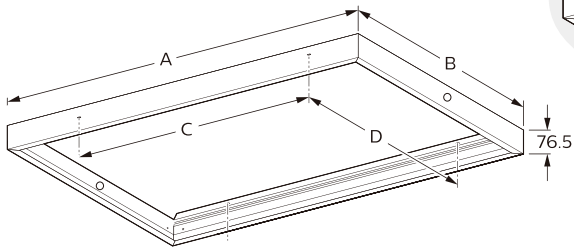
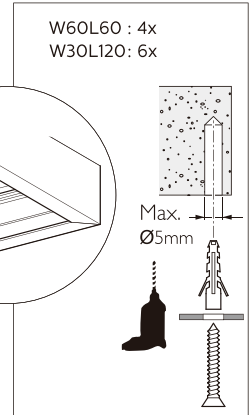
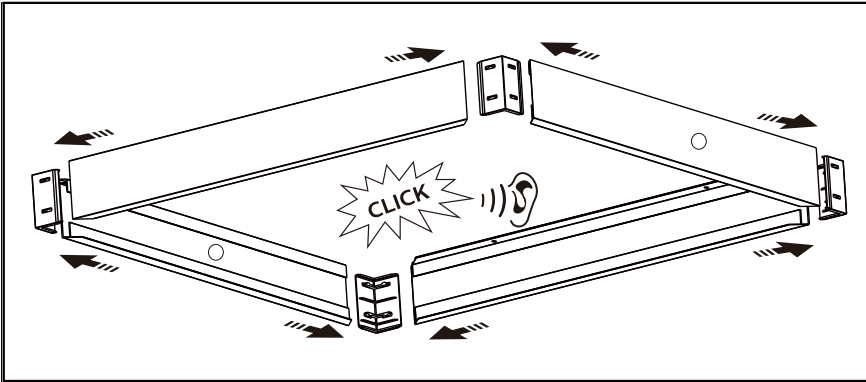
Module	A (mm)	B (mm)
RC136B W60L60	580	580
RC136B W30L120	280	1180





Surface mounted

Optional with
911401807787:RC159Z SMB W60L60
911401807987:RC159Z SMB W30L120

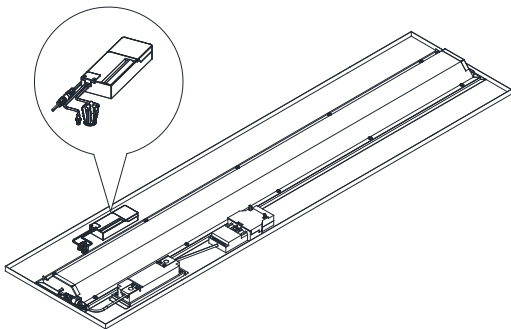


	A	B	C	D	E	F
W60L60	615.5	615.5	335.5	580	/	/
W30L120	1215.5	315.5	855.5	280	1180	210

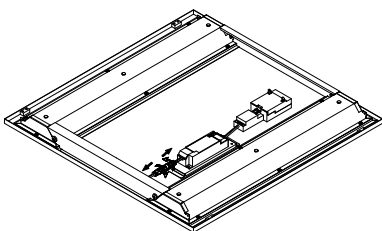
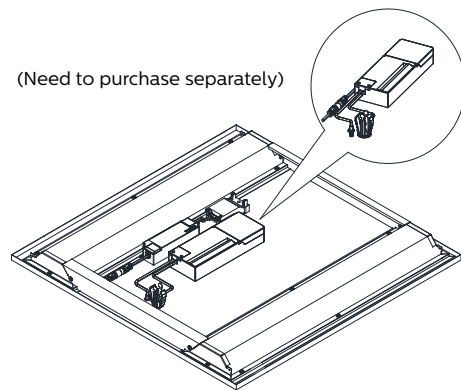


Emergency Lighting (EL) Kit

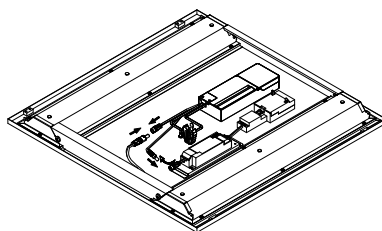
Optional with
912401483603
EM300V ELB ELP3 kit HV 6.4V 2000mAh LFP



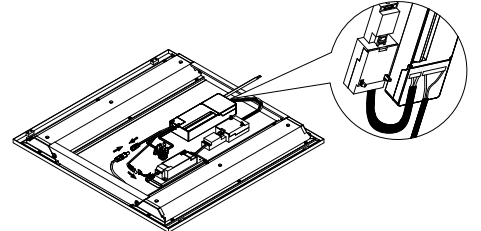
(Need to purchase separately)



1



2



3

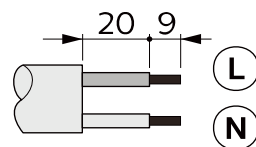
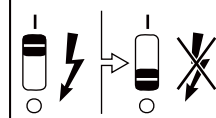
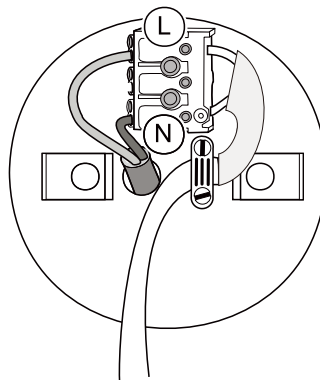
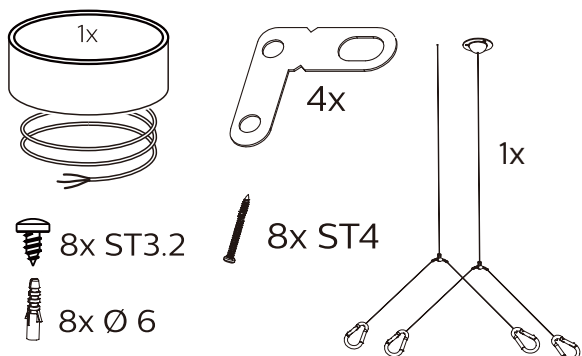


Suspension

Optional with
911401809387 RC159Z Suspension set SME-4 WH
911401809487 RC159Z Suspension set SME-3 WH

PSU/ WIA

911401809487
RC159Z Suspension set SME-3 WH

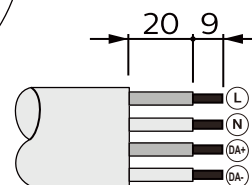
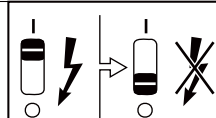
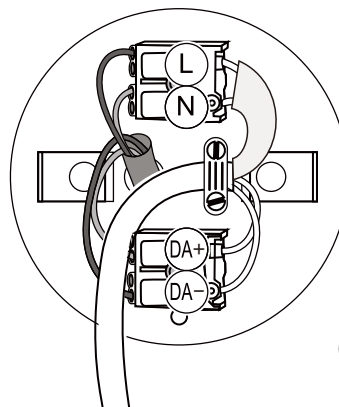
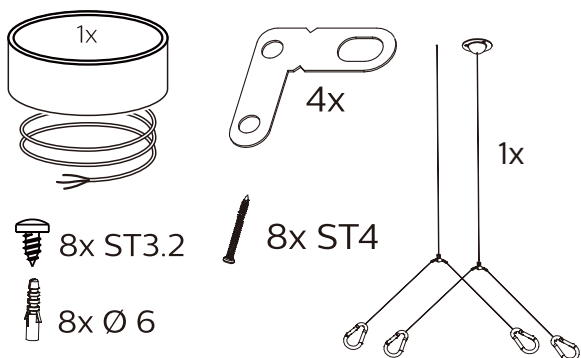


60227 IEC52
2 x 0.75-1.5 mm²
Ø 6-9mm

1a

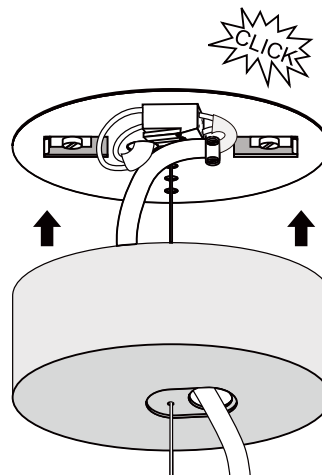
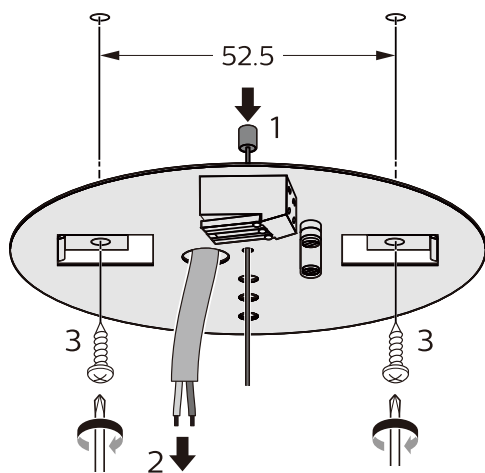
PSD

911401809387
RC159Z Suspension set SME-4 WH



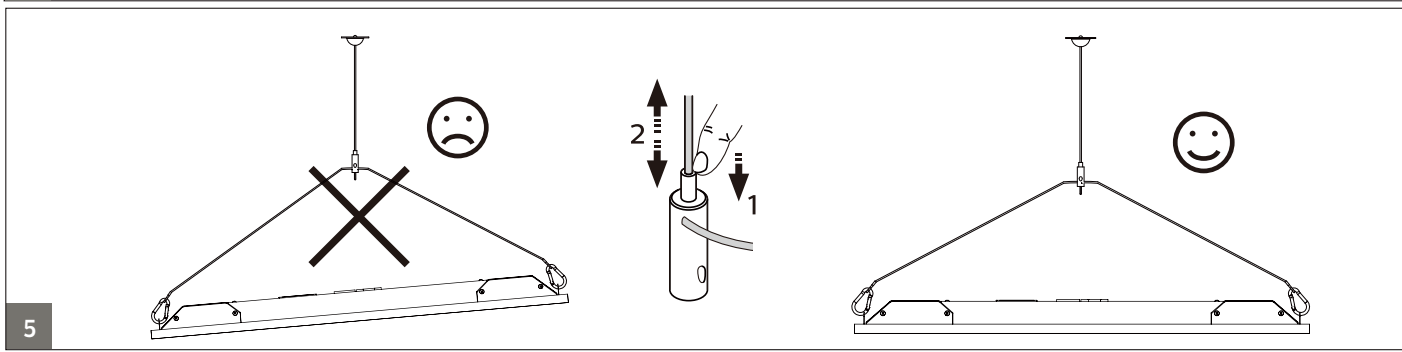
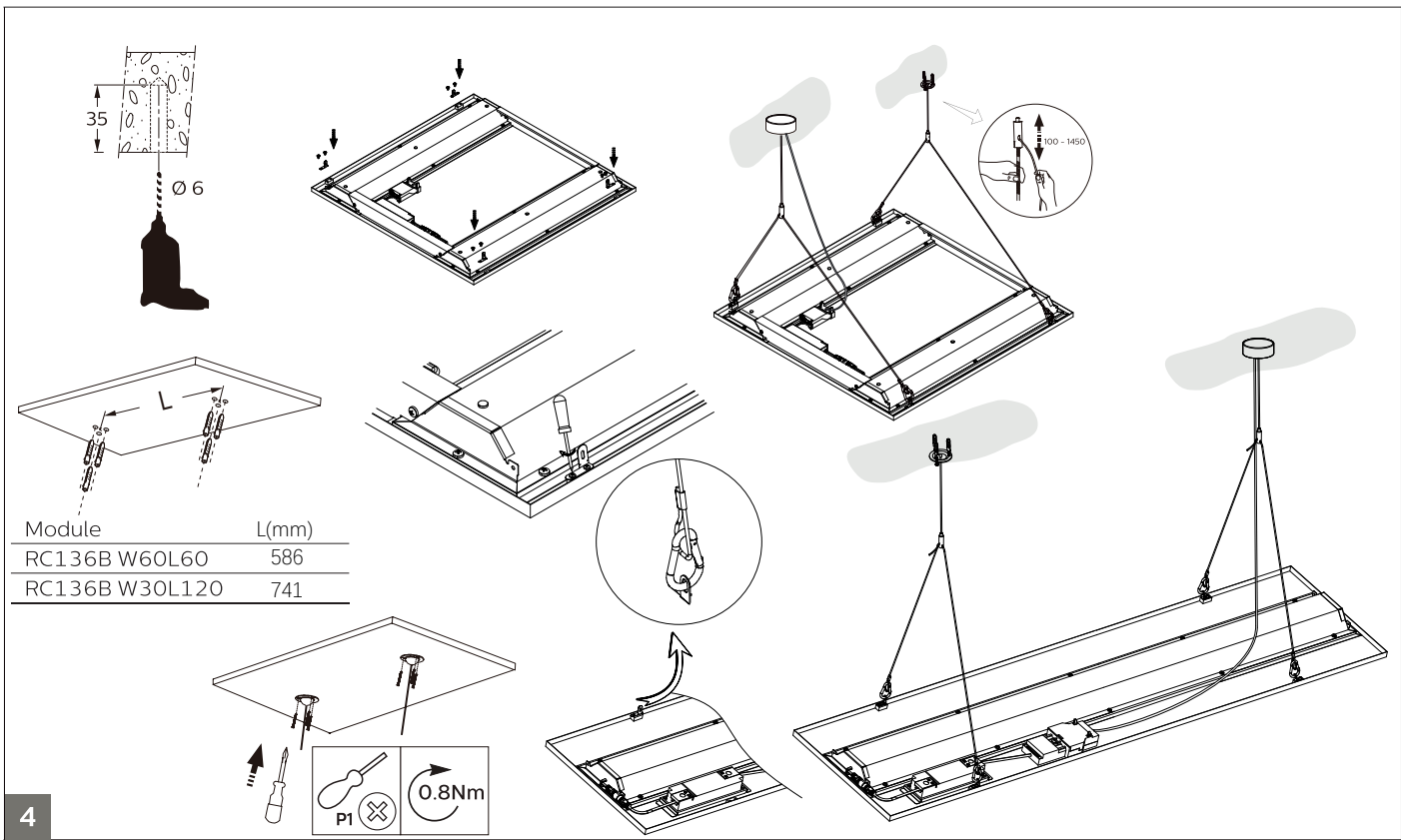
60227 IEC52
4 x 0.75-1.5 mm²
Ø 6-9mm

1b



2

3



Inrush current	PSU			PSD			WIA
	W60L60	23W	29W	38.5W	23W	29W	38.5W
W30L120	23W	29W	38.5W	23W	29W	38.5W	27.5W
Electrical characteristicse							
$I_{max}(A)$	25			5.33			4.9
$T_{ref}(us)$	150			40			56
No. of luminaires max.							
MCB							
B-10 A	24			46			15
B-16A	38			73			24
C-10 A	40			46			25
C-16A	64			73			40

- The luminaire shall be installed by a qualified electrician and wired in accordance with the latest IEEE electrical regulations or the national requirements.
- The light source of this luminaire is not replaceable; when the light source reaches its end of life the whole luminaire shall be replaced.
- Luminaires not suitable for covering with thermally insulating material.
- Luminaire must not be used or stored in corrosive environment where hazardous materials such as Sulphur, Chlorine, Phthalates, etc, are present.
- If the external flexible cable or cord of this luminaire is damaged, it shall be exclusively replaced by the manufacturer or his service agent or a similar qualified person in order to avoid a hazard.

ATTENTION
OBSERVE PRECAUTIONS
FOR HANDLING
ELECTROSTATIC
SENSITIVE
DEVICES

