

DESCRIPTION

# 52MET/1 - 52METR1



F (free nut, flat seat) x M ball valve for water meter connection. T.E.A. Plus plated.

Anti-Legionella ball with an additional bore on the bottom to avoid water stagnation between in the space between the ball and the body.

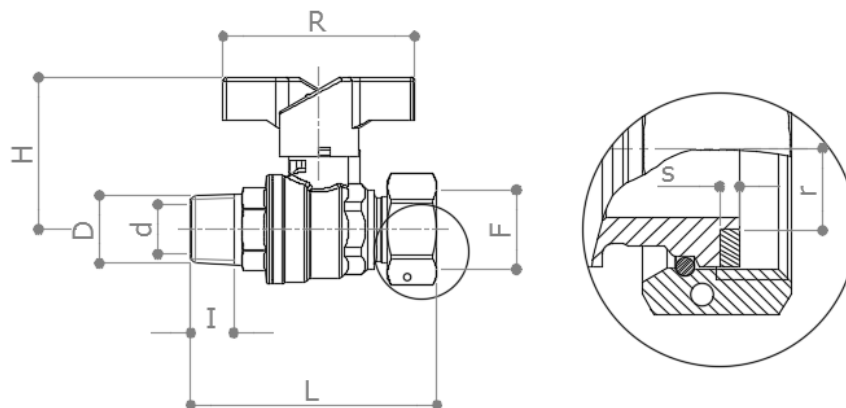
With blue aluminum butterfly handle: **52MET/1**.

With red aluminum butterfly handle: **52METR1**.

Available on demand with green butterfly handle: **52METV1**.

Conform to EN 13828

DIMENSIONS



F x D	¾" x ½"	¾" x ¾"	1" x ¾"	1" x 1"
d	15	15	20	20
H	46	46	56	56
I	14	15	15	16
L	74	76	91	93
R	58	58	65	65
r	8.3	8.3	11.3	11.3
s	2	2	2	2
Weight [g]	250	250	410	430

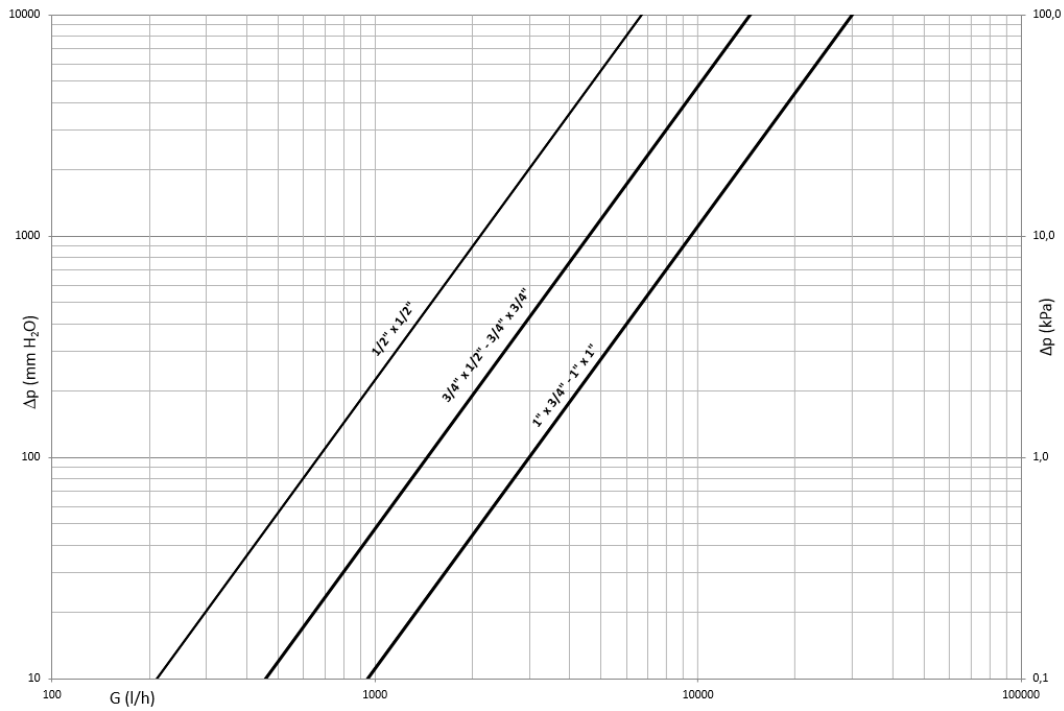
Dimensions in mm

All threads are conform to ISO 7 or ISO 228 standards

MATERIALS

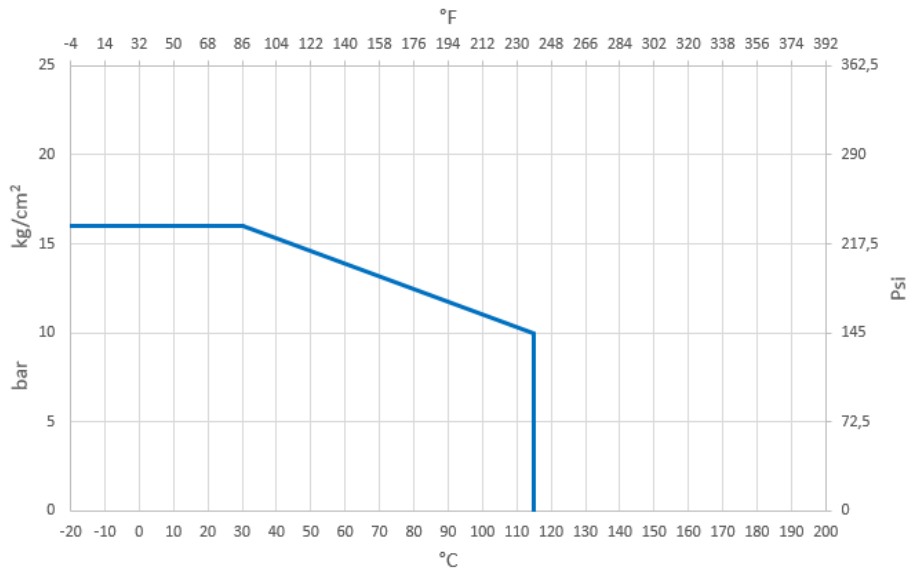
<b>Body</b>	CW617N (EN 12165) CuZn40Pb2 T.E.A. Plus plated
<b>Ball</b>	CW617N (EN 12165) CuZn40Pb2 T.E.A. Plus plated
<b>Stem</b>	CW614N (EN 12164) CuZn39Pb3
<b>Stuffing box</b>	CW614N (EN 12164) CuZn39Pb3 Adjustable
<b>Nut</b>	CW617N (EN 12165) CuZn40Pb2 T.E.A. Plus plated
<b>Seat</b>	2 x PTFE + 1 x PTFE seal on the stem
<b>O-Rings</b>	2 x FKM
<b>Nut seal</b>	1 x EPDMX / EPDM / Fibre
<b>Handle</b>	Aluminum

**PRESSURE DROP DIAGRAM**



Model	3/4" x 1/2"	3/4" x 3/4"	1" x 3/4"	1" x 1"
Kv	14.5	14.5	30	30
PN	16	16	16	16

**TEMPERATURE / PRESSURE DIAGRAM**



**RECOMMENDED WORKING TEMPERATURE / PRESSURE LIMITS**

10 bar – 115°C – non shock

**APPROVALS**

