



DESCRIPTION

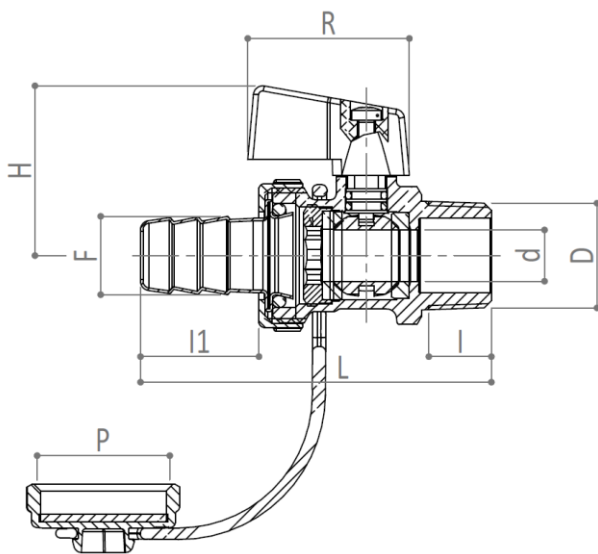
# 248S – 248SC

½" M x hose union blow down ball valve. Cap and hose union available according to the different versions.

Painted steel operating lever.

For water and water+glycol 30%.

DIMENSIONS



<b>D</b>	½"
<b>d</b>	10
<b>H</b>	33.1
<b>I</b>	11.6
<b>l1</b>	23.1
<b>L</b>	68.4
<b>R</b>	31,5
<b>F</b>	15.2
<b>P</b>	¾"
<b>Weight [g]</b>	120
<b>PN</b>	25*

Dimensions in mm

All threads are conform to ISO 7 or ISO 228 standards.

\*Only with the ball closed

MATERIALS

<b>Body</b>	CW617N (UNI EN 12165) CuZn40Pb2
<b>Ball</b>	CW617N (UNI EN 12164) CuZn40Pb2 Nichel plated
<b>Stem</b>	CW617N (UNI EN 12164) CuZn40Pb2
<b>Seat</b>	2 x PTFE G200 / PF 801
<b>O-Rings</b>	EPDM + NBR(hose union)
<b>Hose union</b>	CW508L (UNI EN 12449) CuZn37
<b>Cap</b>	CW617N (UNI EN 12165) CuZn40Pb2
<b>Lever</b>	Plated steel (UNI 5076/74) AlSi12Cu2Fe

VARIANTS

**248S:** drain valve **without** cap and fose connection

**248SC:** drain valve with cap and hose connection, not mounted

RECOMMENDED WORKING TEMPERATURE / PRESSURE LIMITS

10 bar – 70°C – non shock

Minimum temperature: -10°C, no frost

Maximum peak temperature: 90°C