



DESCRIPTION

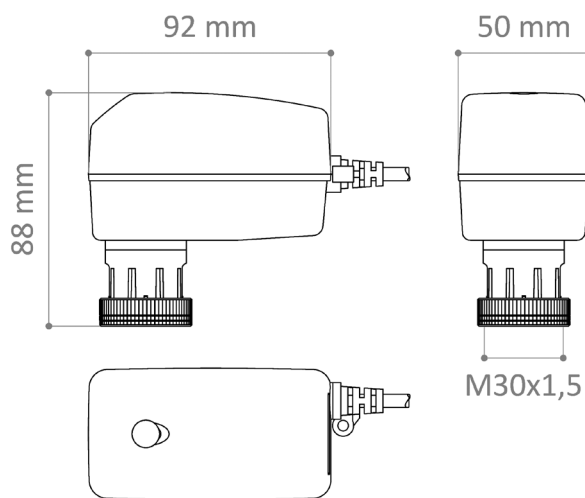
RVAZ2

120/230 V electromotive floating (3 points) or ON/OFF actuator to drive Pettinaroli **PICV 92 series**.

Equipped with stroke detection system and 4 mm Allen key for manual operation.

Connection M30x1,5 ring nut and adaptable to Pettinaroli's standards through specific adapter.

DIMENSIONS



TECHNICAL FEATURES

Type	Floating (3 points) or ON/OFF	Temperature ambient range	0 °C / 50 °C (non condensing)
Supply voltage	120/230 V AC ± 15% 50/60 Hz	Unidity ambient range	0% / 95% UR (non condensing)
Inrush current	1,2 A	IP class	IP54
Power consumption	6 W / 5 VA	Weight	270 g (with key)
Maximum stroke	8,5 mm	Manual override	By 4 mm Allen key
Running time	5,5 s/mm	Connection cable	3 x 0,75 mm ² (halogen free)
Actuating force	200 N	Cable lenght	1,5 m
Visual position indicator	LED	Adapter	0A748X (not included)

The RVAZ2 electromechanical actuator is used to control the Pettinaroli **PICV 92 series** valves installed in heating/cooling systems managed by means of BMS (Building Management System) or room thermostats capable of managing a 120/230 V signal. The achievavle control can be of the floating type (3 points) or ON/OFF.

For more information about the wiring see the "ELECTRICAL CONNECTIONS" chapter.

The actuator incorporates an M30x1,5 connection nut. In order to install it on the valves of the **92** range it is necessary to use a suitable adapter **0A748X** which must be ordered separately.

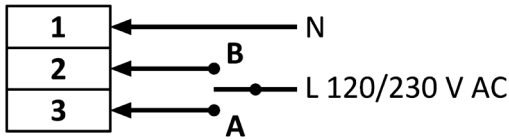


Adapter **0A748X**

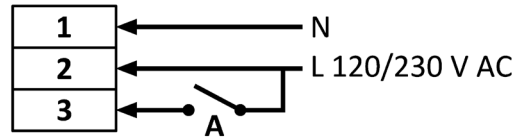
ELECTRICAL CONNECTIONS

Electrical connections are different according to the type of command desired:

Floating mode (3 punti)



ON/OFF mode



1	2	3	A	B
White	Black	Red	Stem extension (closing of the valve)	Stem retraction (opening of the valve)

OPERATING STATUS INDICATOR

The RVAZ2C electromotive actuator is equipped with a two color LED (red/green) which allows to evaluate the operating status of the actuator in accordance with the table below:



LED off	No power supply
Green LED fixed light	Actuator moving, under operation
Green LED quick flash	Stroke adaption
Green LED slow flash (Flash twice + Off 2 sec.)	Bottom end of stroke reached (0% of the stroke)
Green LED slow flash (Flash twice + On 1 sec. + Off 1 sec.)	Top end of stroke reached (100% of the stroke)
Red LED fixed light	Error on the internal limit switches / More than 2 errors
Red LED quick flash	Error on one of the internal limit switches
Red LED slow flash (Flash twice + Off 2 sec.)	Auto stroke adapt fault

INSTALLATION

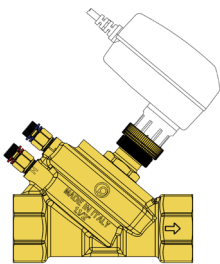


Fig. 1

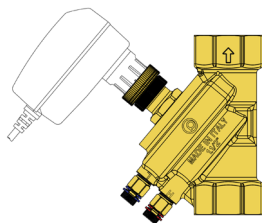


Fig. 2

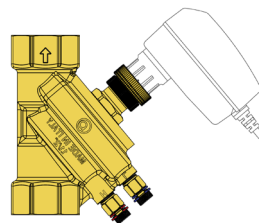


Fig. 3

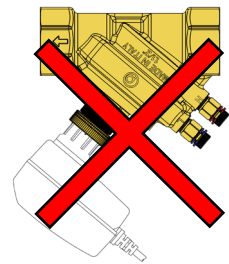


Fig. 4

- For electrical safety reasons the RVAZ2 electromotive actuator has to be installed as shown by pictures 1, 2 or 3. The upside down installation shown in picture 3 must be avoided. Always make sure that the pin is in fully retracted position before installing the actuator on the valve;
- Do not power the actuator if not installed on the valve;
- Tighten the connecting ring by hand only. Do not use any tools;
- Keep a clear space of 15 cm over the actuator to access it, if required.

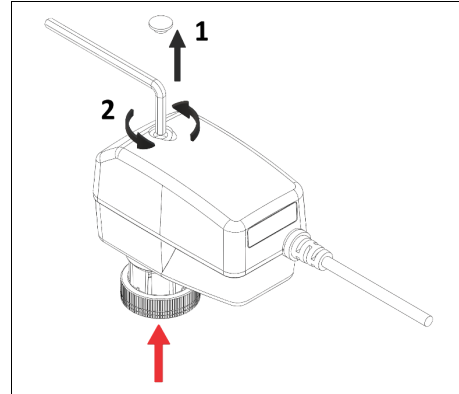
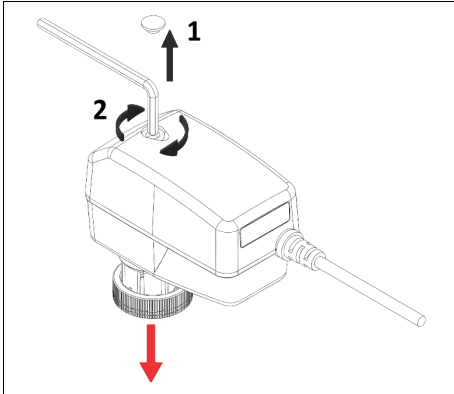
APPROVALS




MANUAL OVERRIDE

If necessary it is possible to manually operate the actuator by using a 4 mm Allen key supplied with the actuator itself. To do this you need to follow the following steps:

1. Remove the manual override rubber seal placed on the top of the actuator;
2. Insert the Allen key to turn the existing lead screw. In particular, turn it **CLOCKWISE** to extend the stem (closing of the valve) while turn it **COUNTERCLOCKWISE** to retract the stem (opening of the valve).



 When the manual rubber override seal is open, IP54 rating no longer applies.