

## USER MANUAL

### WAVE XS by CONLAN

WAVE XS is touchless, securing high hygiene. The WAVE XS can be installed and used for many different purposes, e.g. to open a door, turn on the light, or call for an elevator - just a few among many other options.

Art.no. 480390 - WAVE XS Nordic, black  
Art.no. 480391 - WAVE XS Nordic, white  
Art.no. 480490 - WAVE XS European, black  
Art.no. 480491 - WAVE XS European, white

[www.conlan.eu](http://www.conlan.eu)

USER MANUAL:  
**WAVE XS**

**CONLAN**  
A **SALTO** GROUP COMPANY





## INTRODUCTION

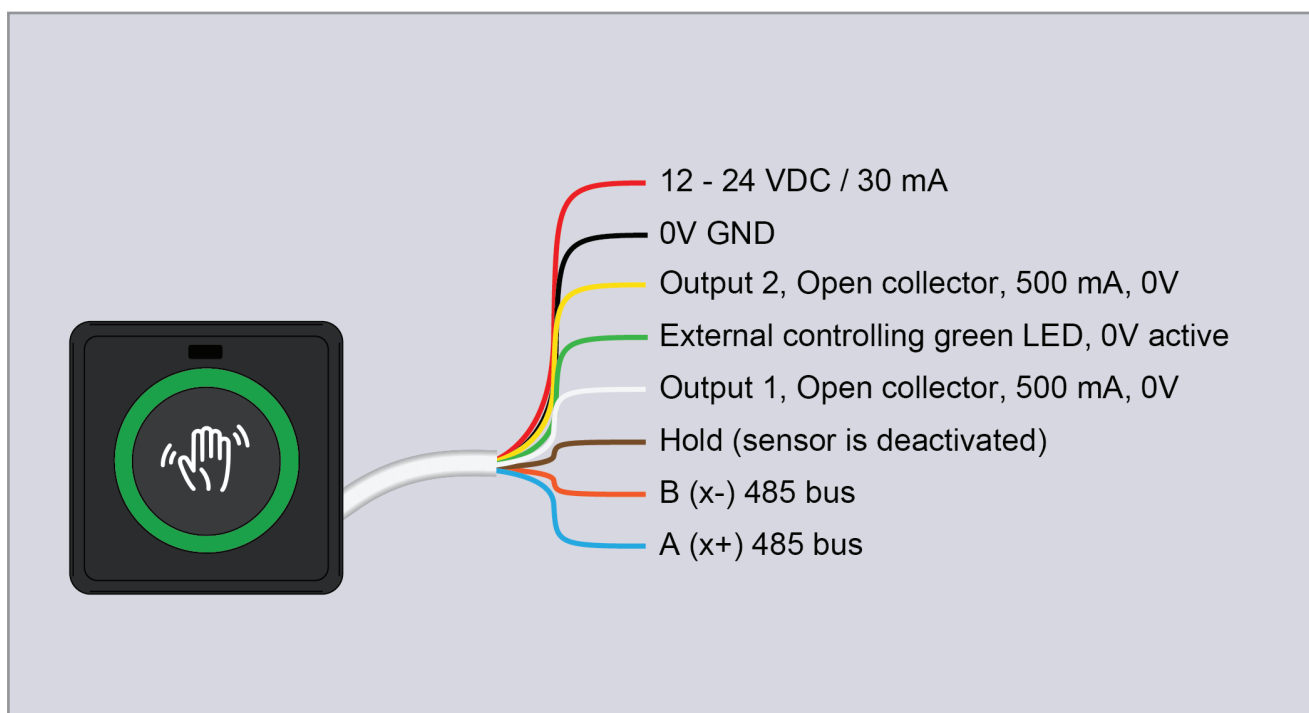
The WAVE XS can be used for many different applications. The WAVE XS has a double color status light ring (default is red and green), as well as an adjustable detection range and activation time. With this you also have the opportunity of choosing between different texts and icons to be shown on the display.

WAVE XS is touchless and is therefore suitable in especially public areas such as hospitals or restaurants where the hygiene is extremely important.

## INSTALLATION

- Mount WAVE XS on an even surface.
- Connect the wires to the power supply, lock unit, assembly box etc.
- Apply voltage 12 VDC, max. 24 VDC.

**NOTE:** Time, distance and display are configured via dip switches on the back. The configuration should therefore happen before installation.



Please make sure that there is no object (protection stickers included) or any obstacles within 30 cm of the front panel to avoid any interference.

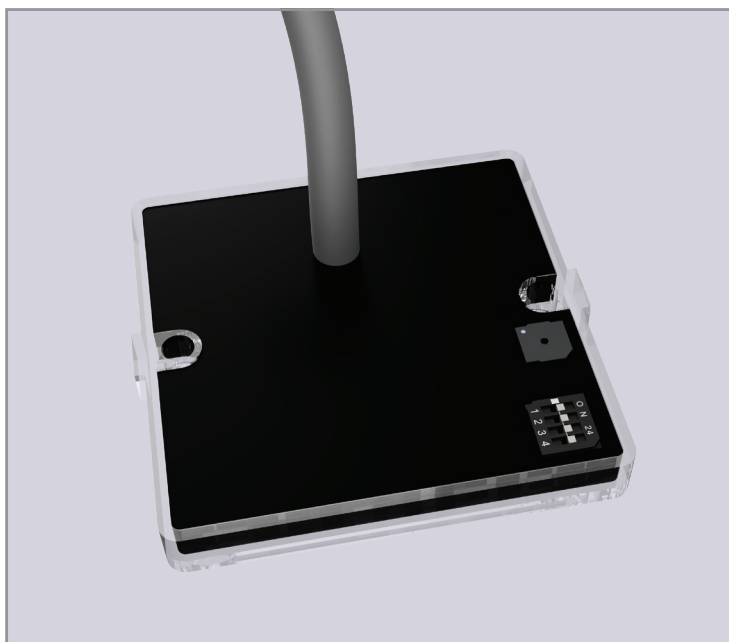


## CONFIGURATION

WAVE XS has 4 different dip switches that are used for configuration. The switches are placed on the right button of the reader. Through these switches it is possible to configure time and detection range, as well as text and icons to be shown on the display.

**NOTE:** The power must be switched off before configuration of the dip switches. After setting the dip switches, turn the power back on.

In the table below, you can see how to set the switches to achieve the desired configuration.



DIP 1	DIP 2	DIP 3	DIP 4		LANGUAGE	TEXT	ICON
on	on	on	on		English	EXIT	
off	on	on	on		German	AUS	
on	off	on	on		Spanish	SALIDA	
off	off	on	on		Danish	UD	
on	on	off	on		Norwegian	UT	
off	on	off	on		French	SORTIE	
on	off	off	on		Italian	USCITA	
off	off	off	on		Basque	IRTEN	
on	on	on	off				Nothing
off	on	on	off				Lock
on	off	on	off				Hand
off	off	on	off				Arrow up
on	on	off	off				Arrow down
off	on	off	off				Door
on	off	off	off				Picture*
off	off	off	off	On-site programming of time and distance			

\* PC-software is required to upload a icon or picture of your own choosing. See separate software manual.



## ACTIVATION TIME AND DETECTION RANGE

By setting all the dip switches to “off”, the configuration of activation time and detection range will start. Do this configuration before setting the dip switches to show your wanted text or icon.

After setting the dip switches to “off” and turning the power back on, use your hand to set the activation time and detection range by moving your hand further away from or closer to the WAVE XS. The display shows the setting. When the display shows the wanted activation time and detection range, hold your hand still for a few seconds, until the WAVE XS is configured.

Time can be set to 3, 5, 10, 15, or 20 seconds or to toggle mode.

Detection range can be set to between 1-25 cm.

## ICON AND TEXT

As showed in the table on the previous page WAVE XS has different text and icon options to be showed on the display. How to set the dip switches to achieve the wanted text or icon is also shown in the table.

The text “EXIT” can be showed in 8 different language options, and there are 6 different icon options. The available icons are: A dynamic lock, hand, arrow up, arrow down, and a door. It is also an option to have a picture of your own choosing, but this requires the WAVE XS software that can be downloaded directly from the CONLAN website.