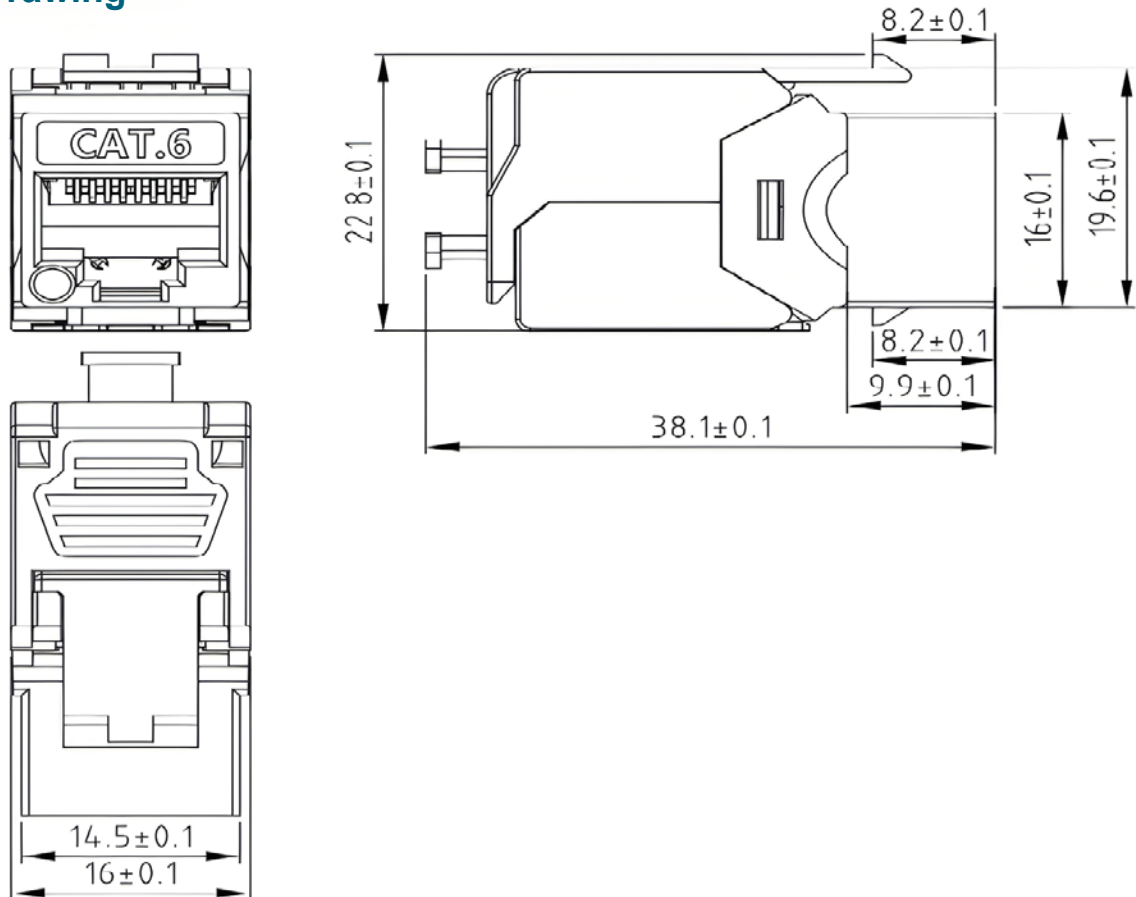


# MODULAR JACK KAT6/ KAT6A UTP RJ45

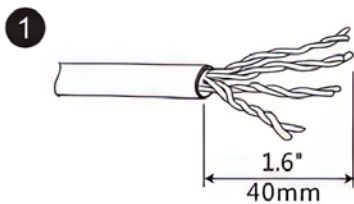


STATIONSALLEEN 40 • DK-2730 HERLEV

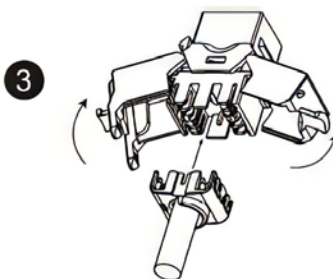
## Technical Drawing



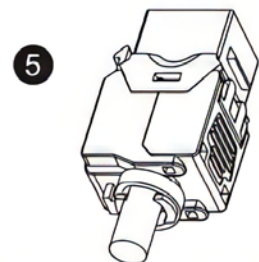
## Installation Method



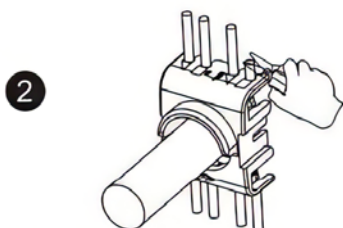
Remove 40mm (1.6") of cable outer jacket



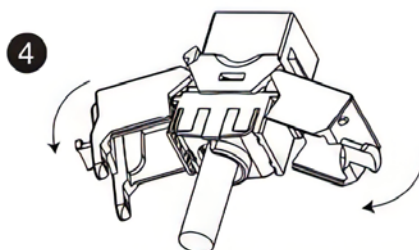
Position the termination cap on the keystone IDCs, in the correct orientation.



Use a cable tie to secure the cable.



Insert the cable through the termination cap, untwist the four pairs and fan out. Following the colour code on the cap, insert the wires into their designated slots. Double check the wires are in the correct positions and then trim off the excess.



Push the termination cap down and then close the wings.