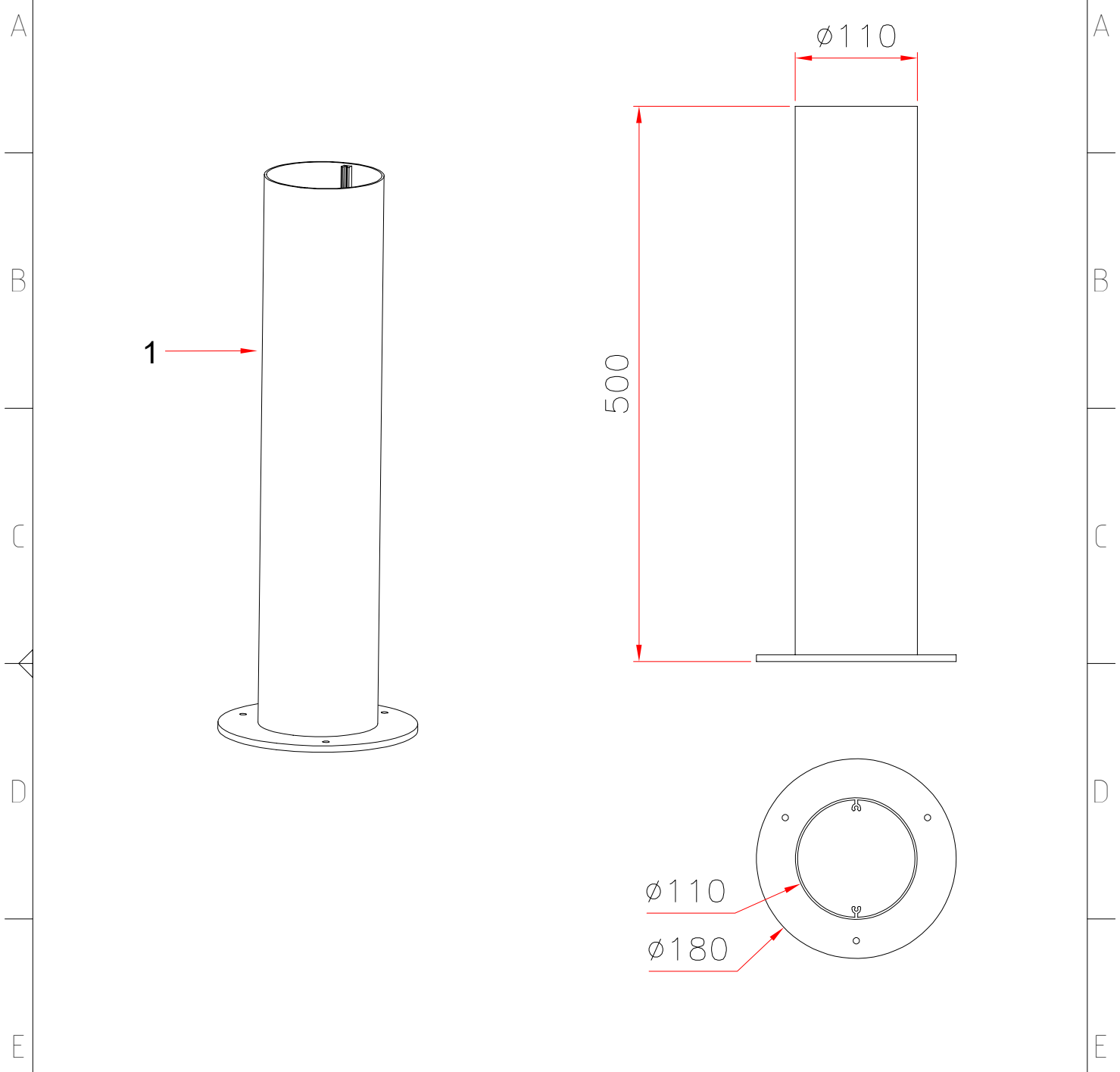


1	2	3	4
RevNo	Revision note	Date	Signature
			Checked



No.	Component	Specification	Color	Material	Qty	Remark
1	ground tube	$\phi 180 \times \phi 110 \times 500$	antrasit	ALU	1	

Itemref (项目名) 草坪灯	Material (材料) 铝	Craft (工艺)	Unit (单位) mm	Scale (比例) 1:5	Date (日期) 2024/2/26
----------------------	--------------------	------------	-----------------	-------------------	------------------------

Designed by (设计)	Checked by (审核)	Size (尺寸) $\phi 110 \times 500$	Project Type (投影方法)	
------------------	-----------------	------------------------------------	------------------------	--

ZHONGSHAN MIN KWONG ELECTRICAL Co., LTD 中山绵光电器有限公司	Pullert tube		
	GZ Part No. (编号) 草坪灯-02	Edition (版本) A/1	Sheet (页码) 1/1
	Customer Part No.		