

## VSH XPress Carbon elbow 90° (2 x press)



**group:** C1408    **category:** fittings    **product line:** VSH XPress Carbon

The VSH XPress C1408 is a carbon steel 90° elbow with 2 press ends. By using VSH XPress in your piping installation you can install in a quick, easy and clean way. VSH XPress provides a complete piping system suitable for every conceivable application.

insert stop: stop edge for pipe end  
provided with all relevant approvals  
Leak Before Pressed-function  
clear identification on fitting of material and dimension

### applications

heating, cooling, compressed air,  
solar energy, sprinkler, vacuum

### segments

residential , fire protection ,  
commercial building , industry ,  
shipbuilding

### approvals

ATG , Bureau Veritas , CNBOP ,  
DNV-GL , Lloyds Register , LPCB ,  
QB (CSTBat) , RINA , RISE , SBSC ,  
SPF , VdS

### assortment

item number	size	dimensions	weight	packaging	gtin
6201547	12	45x45x20 mm	0.03 kg	bag (10 pce)	08711985111934
6201558	15	53x53x23 mm	0.05 kg	bag (10 pce)	08711985111958
6201569	18	58x58x27 mm	0.06 kg	bag (10 pce)	08711985111972
6201571	22	67x67x32 mm	0.08 kg	bag (10 pce)	08711985110616
6201580	28	79x79x38 mm	0.12 kg	bag (5 pce)	08711985139860
6201591	35	94x94x45 mm	0.17 kg	bag (5 pce)	08711985139303
6201602	42	113x113x54 mm	0.26 kg	bag (2 pce)	08711985112016
6201613	54	138x138x65 mm	0.39 kg	bag (2 pce)	08711985112030
6340281	66.7	186x186x83 mm	0.79 kg	bag (1 pce)	08711985292282
6208004	76.1	202x202x95 mm	1.08 kg	bag (2 pce)	08711985162011
6208048	88.9	233x233x110 mm	1.45 kg	bag (2 pce)	08711985182057
6208059	108	282x282x133 mm	2 kg	bag (2 pce)	08711985162035

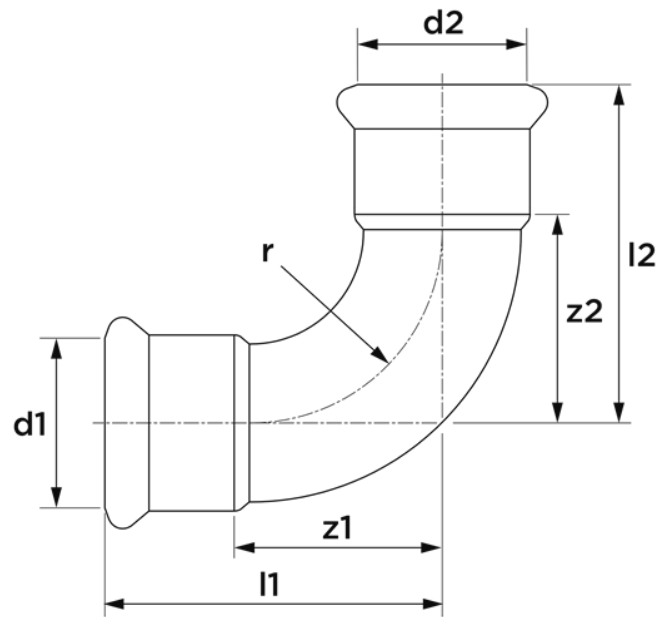
### specifications - characteristics

color	silver
materials	steel (St 34.2 (1.0034))
finishing	galvanised
shape	Bend (90°)
connection type	press (M)
sealing	EPDM

### specifications - general

product group	fittings
ETIM class	EC003024 Fitting with 2 connections
HS code	73079980
brand	VSH
series	XPress Carbon
type	C1408

item number	size	d1	DN1	l1	z1	d2	DN2	l2	z2	radius	angle
6201547	12	12.0	DN10	35	18	12.0	DN10	35	18	15	90
6201558	15	15.0	DN12	41	21	15.0	DN12	41	21	18	90
6201569	18	18.0	DN15	45	25	18.0	DN15	45	25	22	90
6201571	22	22.0	DN20	51	30	22.0	DN20	51	30	27	90
6201580	28	28.0	DN25	61	38	28.0	DN25	61	38	34	90
6201591	35	35.0	DN32	72	46	35.0	DN32	72	46	42	90
6201602	42	42.0	DN40	87	57	42.0	DN40	87	57	51	90
6201613	54	54.0	DN50	105	70	54.0	DN50	105	70	65	90
6340281	66.7	66.7	DN65	145	95	66.7	DN65	145	95	80	90
6208004	76.1	76.1	DN65	155	100	76.1	DN65	155	100	92	90
6208048	88.9	88.9	DN80	179	116	88.9	DN80	179	116	107	90
6208059	108	108.0	DN100	216	139	108.0	DN100	216	139	130	90



### sustainability

item number	carbon footprint (A1-A3) cradle-to-gate	carbon footprint (A-C) embodied carbon	carbon footprint (A-D) cradle-to-cradle	data source
6201547	0.1kgCO <sub>2</sub> e	0.1kgCO <sub>2</sub> e	0.07kgCO <sub>2</sub> e	EPD
6201558	0.14kgCO <sub>2</sub> e	0.15kgCO <sub>2</sub> e	0.1kgCO <sub>2</sub> e	EPD
6201569	0.17kgCO <sub>2</sub> e	0.18kgCO <sub>2</sub> e	0.12kgCO <sub>2</sub> e	EPD
6201571	0.24kgCO <sub>2</sub> e	0.26kgCO <sub>2</sub> e	0.17kgCO <sub>2</sub> e	EPD
6201580	0.36kgCO <sub>2</sub> e	0.38kgCO <sub>2</sub> e	0.25kgCO <sub>2</sub> e	EPD

item number	carbon footprint (A1-A3) cradle-to-gate	carbon footprint (A-C) embodied carbon	carbon footprint (A-D) cradle-to-cradle	data source
6201591	0.52kgCO <sub>2</sub> e	0.55kgCO <sub>2</sub> e	0.36kgCO <sub>2</sub> e	EPD
6201602	0.78kgCO <sub>2</sub> e	0.84kgCO <sub>2</sub> e	0.55kgCO <sub>2</sub> e	EPD
6201613	1.16kgCO <sub>2</sub> e	1.24kgCO <sub>2</sub> e	0.82kgCO <sub>2</sub> e	EPD
6340281	2.34kgCO <sub>2</sub> e	2.51kgCO <sub>2</sub> e	1.65kgCO <sub>2</sub> e	EPD
6208004	3.22kgCO <sub>2</sub> e	3.45kgCO <sub>2</sub> e	2.27kgCO <sub>2</sub> e	EPD
6208048	4.33kgCO <sub>2</sub> e	4.63kgCO <sub>2</sub> e	3.04kgCO <sub>2</sub> e	EPD
6208059	5.96kgCO <sub>2</sub> e	6.37kgCO <sub>2</sub> e	4.19kgCO <sub>2</sub> e	EPD