

VSH XPress Carbon reduced T-piece (3 x press)



group: C1415 **category:** fittings **product line:** VSH XPress Carbon

The VSH XPress C1415 is a carbon steel reduced T-piece with 3 press ends. By using VSH XPress in your piping installation you can install in a quick, easy and clean way. VSH XPress provides a complete piping system suitable for every conceivable application.

insert stop: stop edge for pipe end
provided with all relevant approvals
Leak Before Pressed-function
clear identification on fitting of material and dimension

applications

heating, cooling, compressed air,
solar energy, sprinkler, vacuum

segments

residential , fire protection ,
commercial building , industry ,
shipbuilding

approvals

ATG , Bureau Veritas , CNBOP ,
DNV-GL , Lloyds Register , LPCB ,
QB (CSTBat) , RINA , RISE , SBSC ,
SPF , VdS

assortment

item number	size	dimensions	weight	packaging	gtin
6202768	12x12x15	61x54x23 mm	0.05 kg	bag (10 pce)	08711985096774
6202561	15x15x12	70x53x23 mm	0.06 kg	bag (10 pce)	08711985096378
6202781	15x15x22	70x63x32 mm	0.08 kg	bag (10 pce)	08711985096811
6202570	18x18x12	73x52x27 mm	0.07 kg	bag (10 pce)	08711985096392
6202581	18x18x15	73x55x27 mm	0.08 kg	bag (10 pce)	08711985096415
6202779	15x15x18	70x57x27 mm	0.07 kg	bag (10 pce)	08711985096798
6202790	18x18x22	73x63x32 mm	0.09 kg	bag (10 pce)	08711985096835
6202592	22x22x12	79x60x32 mm	0.09 kg	bag (10 pce)	08711985096439
6202603	22x22x15	79x63x32 mm	0.1 kg	bag (10 pce)	08711985096453
6202614	22x22x18	79x63x32 mm	0.1 kg	bag (10 pce)	08711985096477
6202801	22x22x28	79x71x38 mm	0.12 kg	bag (5 pce)	08711985096859
6202625	28x28x15	90x62x38 mm	0.13 kg	bag (5 pce)	08711985139778
6202636	28x28x18	90x64x38 mm	0.13 kg	bag (5 pce)	08711985096514
6202647	28x28x22	90x67x38 mm	0.14 kg	bag (5 pce)	08711985139761
6202658	35x35x15	103x66x45 mm	0.17 kg	bag (5 pce)	08711985139327
6202669	35x35x18	103x67x45 mm	0.18 kg	bag (5 pce)	08711985139334
6202671	35x35x22	103x71x45 mm	0.18 kg	bag (5 pce)	08711985116526
6202680	35x35x28	103x76x45 mm	0.2 kg	bag (5 pce)	08711985139341
6202691	42x42x22	120x73x54 mm	0.25 kg	bag (4 pce)	08711985096637
6202702	42x42x28	120x78x54 mm	0.26 kg	bag (4 pce)	08711985096651

item number	size	dimensions	weight	packaging	gtin
6202713	42x42x35	120x85x54 mm	0.27 kg	bag (4 pce)	08711985096675
6202724	54x54x22	142x79x65 mm	0.35 kg	bag (2 pce)	08711985096699
6202735	54x54x28	142x84x65 mm	0.37 kg	bag (2 pce)	08711985096712
6202746	54x54x35	142x91x65 mm	0.38 kg	bag (2 pce)	08711985096736
6202757	54x54x42	142x100x65 mm	0.39 kg	bag (2 pce)	08711985096750
6340345	66.7x66.7x28	198x89x83 mm	0.66 kg	bag (1 pce)	08711985292343
6340356	66.7x66.7x35	198x96x83 mm	0.67 kg	bag (1 pce)	08711985292350
6340367	66.7x66.7x42	198x107x83 mm	0.69 kg	bag (1 pce)	08711985292367
6340378	66.7x66.7x54	198x116x83 mm	0.72 kg	bag (1 pce)	08711985292374
6207047	76.1x76.1x22	230x84x95 mm	0.96 kg	bag (2 pce)	08711985258929
6207058	76.1x76.1x28	230x104x95 mm	0.97 kg	bag (2 pce)	08711985258936
6207069	76.1x76.1x35	230x109x95 mm	0.98 kg	bag (2 pce)	08711985258943
6207071	76.1x76.1x42	230x124x95 mm	0.99 kg	bag (2 pce)	08711985258950
6206475	76.1x76.1x54	230x143x95 mm	1.07 kg	bag (2 pce)	08711985182071
6340389	76.1x76.1x66.7	252x147x95 mm	1.16 kg	bag (1 pce)	08711985292381
6209654	88.9x88.9x22	260x92x110 mm	1.27 kg	bag (2 pce)	08711985258967
6209665	88.9x88.9x28	260x111x110 mm	1.26 kg	bag (2 pce)	08711985258974
6209676	88.9x88.9x35	260x119x110 mm	1.28 kg	bag (2 pce)	08711985258981
6209687	88.9x88.9x42	260x132x110 mm	1.28 kg	bag (2 pce)	08711985258988
6209698	88.9x88.9x54	260x150x110 mm	1.31 kg	bag (2 pce)	08711985257069
6340391	88.9x88.9x66.7	256x154x110 mm	1.32 kg	bag (1 pce)	08711985292398
6206486	88.9x88.9x76.1	260x164x110 mm	1.5 kg	bag (2 pce)	08711985182125
6209711	108x108x22	310x101x133 mm	1.93 kg	bag (2 pce)	08711985259001
6209720	108x108x28	310x121x133 mm	1.95 kg	bag (2 pce)	08711985259018
6209731	108x108x35	310x129x133 mm	1.97 kg	bag (2 pce)	08711985259025
6209742	108x108x42	310x142x133 mm	1.9 kg	bag (2 pce)	08711985259032
6209753	108x108x54	310x161x133 mm	1.97 kg	bag (2 pce)	08711985259049
6209764	108x108x76.1	310x175x133 mm	2.15 kg	bag (2 pce)	08711985259056
6206497	108x108x88.9	310x184x133 mm	2.19 kg	bag (2 pce)	08711985182088

specifications - characteristics

color	silver
materials	steel (St 34.2 (1.0034))
finishing	galvanised
shape	T-piece, reducer (90°)
connection type	press (M), Press (M)
sealing	EPDM

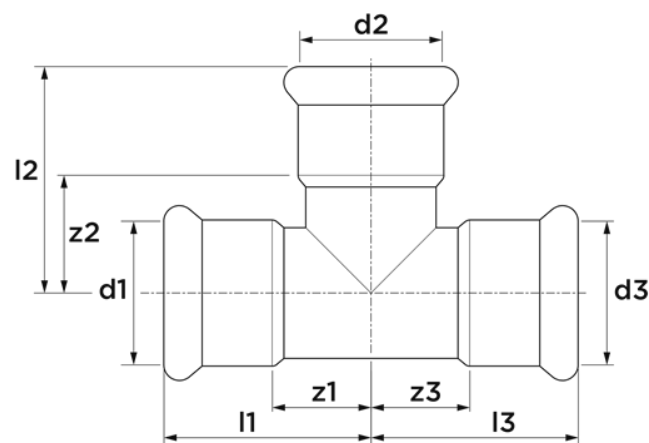
specifications - general

product group	fittings
ETIM class	EC003025 Fitting with 3 connections
HS code	73079980
brand	VSH
series	XPress Carbon
type	C1415

dimensions

item number	size	d1	DN1	l1	z1	d2	DN2	l2	z2	d3	DN3	l3	z3
6202768	12x12x15	12.0	DN10	31	14	15.0	DN12	43	23	12.0	DN10	31	14
6202561	15x15x12	15.0	DN12	35	15	12.0	DN10	41	24	15.0	DN12	35	15
6202781	15x15x22	15.0	DN12	35	15	22.0	DN20	48	27	15.0	DN12	35	15
6202570	18x18x12	18.0	DN15	37	17	12.0	DN10	43	26	18.0	DN15	37	17
6202581	18x18x15	18.0	DN15	37	17	15.0	DN12	46	26	18.0	DN15	37	17
6202779	15x15x18	15.0	DN12	35	15	18.0	DN15	44	24	15.0	DN12	35	15
6202790	18x18x22	18.0	DN15	37	17	22.0	DN20	47	26	18.0	DN15	37	17
6202592	22x22x12	22.0	DN20	40	19	12.0	DN10	45	28	22.0	DN20	40	19
6202603	22x22x15	22.0	DN20	40	19	15.0	DN12	48	28	22.0	DN20	40	19
6202614	22x22x18	22.0	DN20	40	19	18.0	DN15	48	28	22.0	DN20	40	19
6202801	22x22x28	22.0	DN20	40	19	28.0	DN25	52	29	22.0	DN20	40	19
6202625	28x28x15	28.0	DN25	45	22	15.0	DN12	51	31	28.0	DN25	45	22
6202636	28x28x18	28.0	DN25	45	22	18.0	DN15	51	31	28.0	DN25	45	22
6202647	28x28x22	28.0	DN25	45	22	22.0	DN20	52	31	28.0	DN25	45	22
6202658	35x35x15	35.0	DN32	52	26	15.0	DN12	54	34	35.0	DN32	52	26
6202669	35x35x18	35.0	DN32	52	26	18.0	DN15	54	34	35.0	DN32	52	26
6202671	35x35x22	35.0	DN32	52	26	22.0	DN20	55	34	35.0	DN32	52	26
6202680	35x35x28	35.0	DN32	52	26	28.0	DN25	57	34	35.0	DN32	52	26
6202691	42x42x22	42.0	DN40	60	30	22.0	DN20	58	37	42.0	DN40	60	30
6202702	42x42x28	42.0	DN40	60	30	28.0	DN25	60	37	42.0	DN40	60	30
6202713	42x42x35	42.0	DN40	60	30	35.0	DN32	63	37	42.0	DN40	60	30
6202724	54x54x22	54.0	DN50	71	36	22.0	DN20	64	43	54.0	DN50	71	36
6202735	54x54x28	54.0	DN50	71	36	28.0	DN25	66	43	54.0	DN50	71	36
6202746	54x54x35	54.0	DN50	71	36	35.0	DN32	69	43	54.0	DN50	71	36
6202757	54x54x42	54.0	DN50	71	36	42.0	DN40	73	43	54.0	DN50	71	36
6340345	66.7x66.7x28	66.7	DN65	99	49	28.0	DN25	73	50	66.7	DN65	99	49
6340356	66.7x66.7x35	66.7	DN65	99	49	35.0	DN32	76	50	66.7	DN65	99	49
6340367	66.7x66.7x42	66.7	DN65	99	49	42.0	DN40	80	50	66.7	DN65	99	49
6340378	66.7x66.7x54	66.7	DN65	99	49	54.0	DN50	85	50	66.7	DN65	99	49
6207047	76.1x76.1x22	76.1	DN65	115	60	22.0	DN20	68	47	76.1	DN65	115	60
6207058	76.1x76.1x28	76.1	DN65	115	60	28.0	DN25	85	62	76.1	DN65	115	60

item number	size	d1	DN1	l1	z1	d2	DN2	l2	z2	d3	DN3	l3	z3
6207069	76.1x76.1x35	76.1	DN65	115	60	35.0	DN32	87	61	76.1	DN65	115	60
6207071	76.1x76.1x42	76.1	DN65	115	60	42.0	DN40	97	67	76.1	DN65	115	60
6206475	76.1x76.1x54	76.1	DN65	115	60	54.0	DN50	110	75	76.1	DN65	115	60
6340389	76.1x76.1x66.7	76.1	DN65	115	60	66.7	DN65	104	54	76.1	DN65	115	60
6209654	88.9x88.9x22	88.9	DN80	130	67	22.0	DN20	76	55	88.9	DN80	130	67
6209665	88.9x88.9x28	88.9	DN80	130	67	28.0	DN25	92	69	88.9	DN80	130	67
6209676	88.9x88.9x35	88.9	DN80	130	67	35.0	DN32	97	71	88.9	DN80	130	67
6209687	88.9x88.9x42	88.9	DN80	130	67	42.0	DN40	105	75	88.9	DN80	130	67
6209698	88.9x88.9x54	88.9	DN80	130	67	54.0	DN50	117	82	88.9	DN80	130	67
6340391	88.9x88.9x66.7	88.9	DN80	130	67	66.7	DN65	111	61	88.9	DN80	130	67
6206486	88.9x88.9x76.1	88.9	DN80	130	67	76.1	DN65	117	62	88.9	DN80	130	67
6209711	108x108x22	108.0	DN100	155	78	22.0	DN20	85	64	108.0	DN100	155	78
6209720	108x108x28	108.0	DN100	155	78	28.0	DN25	102	79	108.0	DN100	155	78
6209731	108x108x35	108.0	DN100	155	78	35.0	DN32	107	81	108.0	DN100	155	78
6209742	108x108x42	108.0	DN100	155	78	42.0	DN40	115	85	108.0	DN100	155	78
6209753	108x108x54	108.0	DN100	155	78	54.0	DN50	128	93	108.0	DN100	155	78
6209764	108x108x76.1	108.0	DN100	155	78	76.1	DN65	128	73	108.0	DN100	155	78
6206497	108x108x88.9	108.0	DN100	155	78	88.9	DN80	137	82	108.0	DN100	155	78



sustainability

item number	carbon footprint (A1-A3) cradle-to-gate	carbon footprint (A-C) embodied carbon	carbon footprint (A-D) cradle-to-cradle	data source
item number	carbon footprint (A1-A3) cradle-to-gate	carbon footprint (A-C) embodied carbon	carbon footprint (A-D) cradle-to-cradle	data source
6202768	0.16kgCO2e	0.17kgCO2e	0.11kgCO2e	EPD
6202561	0.18kgCO2e	0.2kgCO2e	0.13kgCO2e	EPD
6202781	0.25kgCO2e	0.26kgCO2e	0.17kgCO2e	EPD
6202570	0.22kgCO2e	0.23kgCO2e	0.15kgCO2e	EPD
6202581	0.24kgCO2e	0.26kgCO2e	0.17kgCO2e	EPD
6202779	0.22kgCO2e	0.23kgCO2e	0.15kgCO2e	EPD
6202790	0.27kgCO2e	0.29kgCO2e	0.19kgCO2e	EPD
6202592	0.27kgCO2e	0.29kgCO2e	0.19kgCO2e	EPD
6202603	0.29kgCO2e	0.32kgCO2e	0.21kgCO2e	EPD
6202614	0.3kgCO2e	0.32kgCO2e	0.21kgCO2e	EPD
6202801	0.36kgCO2e	0.39kgCO2e	0.26kgCO2e	EPD
6202625	0.39kgCO2e	0.41kgCO2e	0.27kgCO2e	EPD
6202636	0.39kgCO2e	0.42kgCO2e	0.28kgCO2e	EPD
6202647	0.41kgCO2e	0.44kgCO2e	0.29kgCO2e	EPD
6202658	0.52kgCO2e	0.55kgCO2e	0.36kgCO2e	EPD
6202669	0.52kgCO2e	0.56kgCO2e	0.37kgCO2e	EPD
6202671	0.55kgCO2e	0.58kgCO2e	0.38kgCO2e	EPD
6202680	0.59kgCO2e	0.63kgCO2e	0.42kgCO2e	EPD
6202691	0.73kgCO2e	0.78kgCO2e	0.51kgCO2e	EPD
6202702	0.78kgCO2e	0.83kgCO2e	0.55kgCO2e	EPD
6202713	0.82kgCO2e	0.87kgCO2e	0.57kgCO2e	EPD
6202724	1.05kgCO2e	1.12kgCO2e	0.74kgCO2e	EPD
6202735	1.09kgCO2e	1.17kgCO2e	0.77kgCO2e	EPD
6202746	1.13kgCO2e	1.21kgCO2e	0.8kgCO2e	EPD
6202757	1.17kgCO2e	1.25kgCO2e	0.82kgCO2e	EPD
6340345	1.95kgCO2e	2.09kgCO2e	1.37kgCO2e	EPD
6340356	2kgCO2e	2.14kgCO2e	1.41kgCO2e	EPD
6340367	2.06kgCO2e	2.2kgCO2e	1.45kgCO2e	EPD
6340378	2.14kgCO2e	2.29kgCO2e	1.51kgCO2e	EPD
6207047	2.84kgCO2e	3.04kgCO2e	2kgCO2e	EPD
6207058	2.88kgCO2e	3.08kgCO2e	2.03kgCO2e	EPD
6207069	2.92kgCO2e	3.12kgCO2e	2.05kgCO2e	EPD
6207071	2.96kgCO2e	3.16kgCO2e	2.08kgCO2e	EPD

item number	carbon footprint (A1-A3) cradle-to-gate	carbon footprint (A-C) embodied carbon	carbon footprint (A-D) cradle-to-cradle	data source
6206475	3.17kgCO2e	3.39kgCO2e	2.23kgCO2e	EPD
6340389	3.44kgCO2e	3.68kgCO2e	2.42kgCO2e	EPD
6209654	3.78kgCO2e	4.04kgCO2e	2.66kgCO2e	EPD
6209665	3.74kgCO2e	4kgCO2e	2.63kgCO2e	EPD
6209676	3.81kgCO2e	4.07kgCO2e	2.68kgCO2e	EPD
6209687	3.82kgCO2e	4.09kgCO2e	2.69kgCO2e	EPD
6209698	3.91kgCO2e	4.18kgCO2e	2.75kgCO2e	EPD
6340391	3.92kgCO2e	4.2kgCO2e	2.76kgCO2e	EPD
6206486	4.47kgCO2e	4.78kgCO2e	3.14kgCO2e	EPD
6209711	5.76kgCO2e	6.16kgCO2e	4.05kgCO2e	EPD
6209720	5.81kgCO2e	6.22kgCO2e	4.09kgCO2e	EPD
6209731	5.86kgCO2e	6.27kgCO2e	4.12kgCO2e	EPD
6209742	5.65kgCO2e	6.05kgCO2e	3.98kgCO2e	EPD
6209753	5.87kgCO2e	6.28kgCO2e	4.13kgCO2e	EPD
6209764	6.4kgCO2e	6.84kgCO2e	4.5kgCO2e	EPD
6206497	6.51kgCO2e	6.96kgCO2e	4.58kgCO2e	EPD