

## VSH XPress Carbon straight connector FM 88.9xR3"



this article is part of a product group (C1405) that contains a total of 17 items

[view all 17 items](#)

**group:** C1405    **item:** 6204792    **category:** fittings

The VSH XPress C1405 is a straight carbon steel connector with a press and male thread end. By using VSH XPress in your piping installation you can install in a quick, easy and clean way. VSH XPress provides a complete piping system suitable for every conceivable application.

insert stop: stop edge for pipe end  
provided with all relevant approvals  
Leak Before Pressed-function  
clear identification on fitting of material and dimension

### applications

heating, cooling, compressed air,  
solar energy, sprinkler, vacuum

### segments

residential , fire protection ,  
commercial building , industry ,  
shipbuilding

### approvals

ATG , Bureau Veritas , CNBOP ,  
DNV-GL , Lloyds Register , RINA ,  
RISE , SBSC , VdS

### specifications - characteristics

<b>color</b>	silver
<b>materials</b>	steel (St 34.2 (1.0034))
<b>finishing</b>	galvanised
<b>shape</b>	straight
<b>connection type</b>	press (M), R - male thread gas conical (BSPT)
<b>sealing</b>	EPDM

### specifications - general

<b>product group</b>	fittings
<b>ETIM class</b>	EC003024 Fitting with 2 connections
<b>HS code</b>	73079980
<b>brand</b>	VSH
<b>series</b>	XPress Carbon
<b>type</b>	C1405
<b>UNSPS</b>	40172502
<b>SCIP</b>	233056dc-cd46-44db-9410-a4845109c0f6

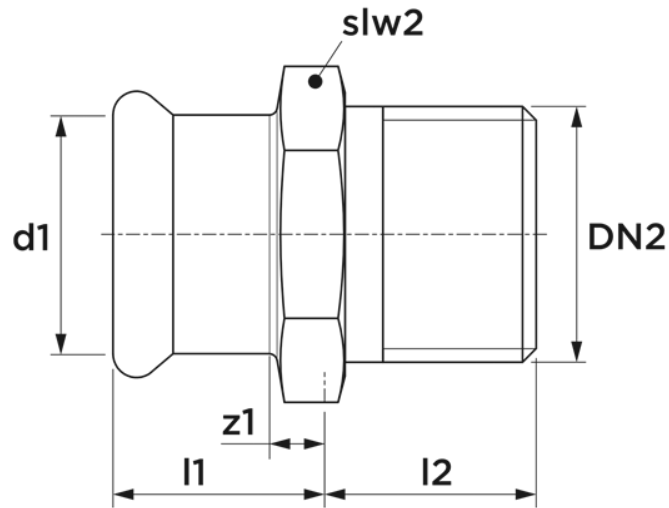
### specifications - product info

<b>item</b>	VSH XPress Carbon straight connector FM 88.9xR3"
<b>item number with gtin</b>	6204792 (08711985258226)
<b>product number with gtin</b>	6204792 (08711985258202)
<b>manufacturer</b>	Aalberts integrated piping systems B.V. (VSH)
<b>item group</b>	C1405 - VSH XPress Carbon straight connector (press x male thread)
<b>size</b>	88.9xR3"
<b>weight</b>	1.17 kg
<b>dimensions</b>	132x110x110 mm

### specifications - technical

<b>max operating pressure liquid</b>	16 bar
<b>min. medium temperature</b>	-35 °C
<b>max medium temperature</b>	135 °C
<b>peak medium temperature</b>	150 °C

d1	DN1	l1	z1	d2	DN2	l2	slw2
d1	DN1	l1	z1	d2	DN2	l2	slw2
88.9	DN80	73	10	88.9	3" (DN80)	36	95



## sustainability

carbon footprint (A1-A3) cradle-to-gate	3.49kgCO <sub>2</sub> e
carbon footprint (A-C) embodied carbon	3.73kgCO <sub>2</sub> e
carbon footprint (A-D) cradle-to-cradle	2.46kgCO <sub>2</sub> e
data source	EPD