

VSH XPress Carbon T-piece (3 x press)



group: C1414 **category:** fittings **product line:** VSH XPress Carbon

The VSH XPress C1414 is a carbon steel T-piece with 3 press ends. By using VSH XPress in your piping installation you can install in a quick, easy and clean way. VSH XPress provides a complete piping system suitable for every conceivable application.

insert stop: stop edge for pipe end
provided with all relevant approvals
Leak Before Pressed-function
clear identification on fitting of material and dimension

applications

heating, cooling, compressed air,
solar energy, sprinkler, vacuum

segments

residential , fire protection ,
commercial building , industry ,
shipbuilding

approvals

ATG , Bureau Veritas , CNBOP ,
DNV-GL , Lloyds Register , LPCB ,
QB (CSTBat) , RINA , RISE , SBSC ,
SPF , VdS

assortment

item number	size	dimensions	weight	packaging	gtin
6202482	12	61x49x20 mm	0.05 kg	bag (10 pce)	08711985096217
6202493	15	70x56x23 mm	0.07 kg	bag (10 pce)	08711985096231
6202504	18	73x59x27 mm	0.09 kg	bag (10 pce)	08711985096255
6202515	22	79x64x32 mm	0.11 kg	bag (10 pce)	08711985096279
6202526	28	90x72x38 mm	0.16 kg	bag (5 pce)	08711985139808
6202537	35	103x82x45 mm	0.22 kg	bag (5 pce)	08711985115147
6202548	42	121x94x54 mm	0.29 kg	bag (4 pce)	08711985096330
6202559	54	142x110x65 mm	0.43 kg	bag (2 pce)	08711985096354
6340334	66.7	198x143x83 mm	0.81 kg	bag (1 pce)	08711985292336
6206442	76.1	230x157x95 mm	1.26 kg	bag (2 pce)	08711985161861
6206453	88.9	260x183x110 mm	1.6 kg	bag (2 pce)	08711985186819
6206464	108	310x219x133 mm	2.47 kg	bag (2 pce)	08711985182118

specifications - characteristics

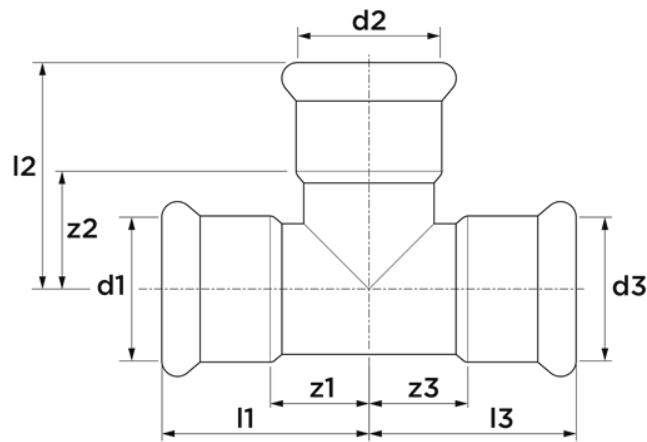
color	silver
materials	steel (St 34.2 (1.0034))
finishing	galvanised
shape	T-piece (90°)
connection type	press (M), Press (M)
sealing	EPDM

specifications - general

product group	fittings
ETIM class	EC003025 Fitting with 3 connections
HS code	73079980
brand	VSH
series	XPress Carbon
type	C1414
UNSCDS	40174602

dimensions

item number	size	d1	DN1	l1	z1	d2	DN2	l2	z2	d3	DN3	l3	z3
6202482	12	12.0	DN10	31	14	12.0	DN10	40	23	12.0	DN10	31	14
6202493	15	15.0	DN12	35	15	15.0	DN12	44	24	15.0	DN12	35	15
6202504	18	18.0	DN15	37	17	18.0	DN15	46	26	18.0	DN15	37	17
6202515	22	22.0	DN20	40	19	22.0	DN20	49	28	22.0	DN20	40	19
6202526	28	28.0	DN25	45	22	28.0	DN25	54	31	28.0	DN25	45	22
6202537	35	35.0	DN32	52	26	35.0	DN32	60	34	35.0	DN32	52	26
6202548	42	42.0	DN40	61	31	42.0	DN40	67	37	42.0	DN40	61	31
6202559	54	54.0	DN50	71	36	54.0	DN50	78	43	54.0	DN50	71	36
6340334	66.7	66.7	DN65	99	49	66.7	DN65	99	49	66.7	DN65	99	49
6206442	76.1	76.1	DN65	115	60	76.1	DN65	110	55	76.1	DN65	115	60
6206453	88.9	88.9	DN80	130	67	88.9	DN80	128	65	88.9	DN80	130	67
6206464	108	108.0	DN100	155	78	108.0	DN100	153	76	108.0	DN100	155	78



sustainability

item number	carbon footprint (A1-A3) cradle-to-gate	carbon footprint (A-C) embodied carbon	carbon footprint (A-D) cradle-to-cradle	data source
6202482	0.14kgCO ₂ e	0.15kgCO ₂ e	0.1kgCO ₂ e	EPD
6202493	0.21kgCO ₂ e	0.23kgCO ₂ e	0.15kgCO ₂ e	EPD
6202504	0.25kgCO ₂ e	0.27kgCO ₂ e	0.18kgCO ₂ e	EPD
6202515	0.32kgCO ₂ e	0.34kgCO ₂ e	0.23kgCO ₂ e	EPD

item number	carbon footprint (A1-A3) cradle-to-gate	carbon footprint (A-C) embodied carbon	carbon footprint (A-D) cradle-to-cradle	data source
6202526	0.46kgCO2e	0.5kgCO2e	0.33kgCO2e	EPD
6202537	0.64kgCO2e	0.68kgCO2e	0.45kgCO2e	EPD
6202548	0.88kgCO2e	0.94kgCO2e	0.62kgCO2e	EPD
6202559	1.28kgCO2e	1.37kgCO2e	0.9kgCO2e	EPD
6340334	2.42kgCO2e	2.59kgCO2e	1.7kgCO2e	EPD
6206442	3.76kgCO2e	4.02kgCO2e	2.65kgCO2e	EPD
6206453	4.77kgCO2e	5.1kgCO2e	3.35kgCO2e	EPD
6206464	7.35kgCO2e	7.86kgCO2e	5.17kgCO2e	EPD