

VSH XPress Stainless elbow 90° (2 x press)



group: R2708 **category:** fittings **product line:** VSH XPress Stainless

The VSH XPress R2708 is a stainless steel 90° elbow with 2 press ends. By using VSH XPress in your piping installation you can install in a quick, easy and clean way. VSH XPress provides a complete piping system suitable for every conceivable application.

- insert stop: stop edge for pipe end
- provided with all relevant approvals
- Leak Before Pressed-function
- clear identification on fitting of material and dimension

applications

potable water, heating, cooling, steam, compressed air, solar energy, sprinkler, dry fire main, vacuum

segments

fire protection , commercial building , industry , shipbuilding

approvals

ACS , ATG , Bureau Veritas , CNBOP , DVGW Wasser , FG , FM , KIWA , Lloyds Register , LPCB , ÖVGW Wasser , PZH , QB (CSTBat) , RINA , RISE , SBSC , SETSCO , SINTEF , SPF , SVGW Wasser , TA-Luft , ÜA , UK water regulation 4 , VA (ETA) , VdS , Watermark , WRAS

assortment

item number	size	dimensions	weight	packaging	gtin
6190206	15	53x53x23 mm	0.05 kg	bag (10 pce)	08711985152104
6190217	18	58x58x27 mm	0.06 kg	bag (10 pce)	08711985152128
6190228	22	67x67x32 mm	0.09 kg	bag (10 pce)	08711985152142
6190239	28	79x79x38 mm	0.12 kg	bag (5 pce)	08711985152166
6190241	35	93x93x45 mm	0.18 kg	bag (5 pce)	08711985152180
6190250	42	113x113x54 mm	0.27 kg	bag (2 pce)	08711985152203
6190261	54	137x137x65 mm	0.4 kg	bag (2 pce)	08711985152227
6230004	76.1	197x197x94 mm	1.08 kg	bag (2 pce)	08711985249316
6230015	88.9	229x229x109 mm	1.46 kg	bag (2 pce)	08711985249323
6230026	108	281x281x133 mm	2.09 kg	bag (2 pce)	08711985249330

specifications - characteristics

color	silver
materials	stainless steel (Stainless steel 316L (1.4404))
finishing	none
shape	Bend (90°)
connection type	press (M)
sealing	EPDM

specifications - general

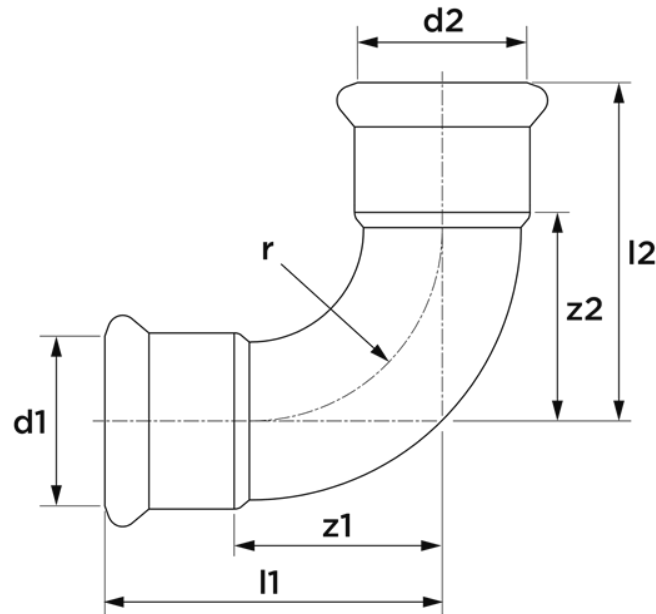
product group	fittings
ETIM class	ECO03024 Fitting with 2 connections
HS code	73072980
brand	VSH
series	XPress Stainless
type	R2708
UNSPS	40172107

specifications - technical

max operating pressure liquid	16 bar
min. medium temperature	-35 °C
max medium temperature	135 °C
peak medium temperature	150 °C

dimensions

item number	size	d1	DN1	l1	z1	d2	DN2	l2	z2	radius	angle
6190206	15	15.0	DN12	41	21	15.0	DN12	41	21	18	90
6190217	18	18.0	DN15	45	25	18.0	DN15	45	25	22	90
6190228	22	22.0	DN20	51	30	22.0	DN20	51	30	27	90
6190239	28	28.0	DN25	60	37	28.0	DN25	60	37	34	90
6190241	35	35.0	DN32	71	45	35.0	DN32	71	45	42	90
6190250	42	42.0	DN40	86	56	42.0	DN40	86	56	51	90
6190261	54	54.0	DN50	105	70	54.0	DN50	105	70	65	90
6230004	76.1	76.1	DN65	150	95	76.1	DN65	150	95	91	90
6230015	88.9	88.9	DN80	174	111	88.9	DN80	174	111	107	90
6230026	108	108.0	DN100	215	138	108.0	DN100	215	138	130	90



sustainability

item number	carbon footprint (A1-A3) cradle-to-gate	carbon footprint (A-C) embodied carbon	carbon footprint (A-D) cradle-to-cradle	data source
6190206	0.21kgCO ₂ e	0.22kgCO ₂ e	0.17kgCO ₂ e	EPD
6190217	0.27kgCO ₂ e	0.28kgCO ₂ e	0.21kgCO ₂ e	EPD
6190228	0.38kgCO ₂ e	0.39kgCO ₂ e	0.3kgCO ₂ e	EPD
6190239	0.55kgCO ₂ e	0.57kgCO ₂ e	0.44kgCO ₂ e	EPD
6190241	0.78kgCO ₂ e	0.82kgCO ₂ e	0.62kgCO ₂ e	EPD
6190250	1.19kgCO ₂ e	1.24kgCO ₂ e	0.95kgCO ₂ e	EPD
6190261	1.76kgCO ₂ e	1.84kgCO ₂ e	1.41kgCO ₂ e	EPD
6230004	4.81kgCO ₂ e	5.02kgCO ₂ e	3.83kgCO ₂ e	EPD
6230015	6.47kgCO ₂ e	6.74kgCO ₂ e	5.15kgCO ₂ e	EPD
6230026	9.29kgCO ₂ e	9.69kgCO ₂ e	7.4kgCO ₂ e	EPD

downloads

📄 R2708 - png

📄 Diagram - png