

VSH XPress Stainless T-piece (3 x press)



group: R2714 **category:** fittings **product line:** VSH XPress Stainless

The VSH XPress R2714 is a stainless steel T-piece with 3 press ends. By using VSH XPress in your piping installation you can install in a quick, easy and clean way. VSH XPress provides a complete piping system suitable for every conceivable application.

insert stop: stop edge for pipe end
provided with all relevant approvals
Leak Before Pressed-function
clear identification on fitting of material and dimension

applications

potable water, heating, cooling, steam, compressed air, solar energy, sprinkler, dry fire main, vacuum

segments

fire protection , commercial building , industry , shipbuilding

approvals

ATG , Bureau Veritas , CNBOP , DVGW Wasser , FG , FM , KIWA , Lloyds Register , LPCB , ÖVGW Wasser , PZH , QB (CSTBat) , RINA , RISE , SBSC , SETSCO , SINTEF , SPF , SVGW Wasser , TA-Luft , ÜA , VA (ETA) , VdS , WRAS

assortment

item number	size	dimensions	weight	packaging	gtin
6191350	15	70x51x23 mm	0.07 kg	bag (10 pce)	08711985155686
6191372	18	73x54x27 mm	0.08 kg	bag (10 pce)	08711985155723
6191405	22	79x59x32 mm	0.11 kg	bag (10 pce)	08711985155785
6191449	28	89x67x38 mm	0.15 kg	bag (5 pce)	08711985155860
6191493	35	102x77x45 mm	0.21 kg	bag (5 pce)	08711985155969
6191537	42	119x88x54 mm	0.28 kg	bag (4 pce)	08711985156041
6191581	54	141x105x65 mm	0.4 kg	bag (2 pce)	08711985156140
6204319	76.1	232x95x94 mm	1.28 kg	bag (2 pce)	08711985249439
6204321	88.9	262x110x109 mm	1.63 kg	bag (2 pce)	08711985249446
6204330	108	312x133x133 mm	2.45 kg	bag (2 pce)	08711985249453

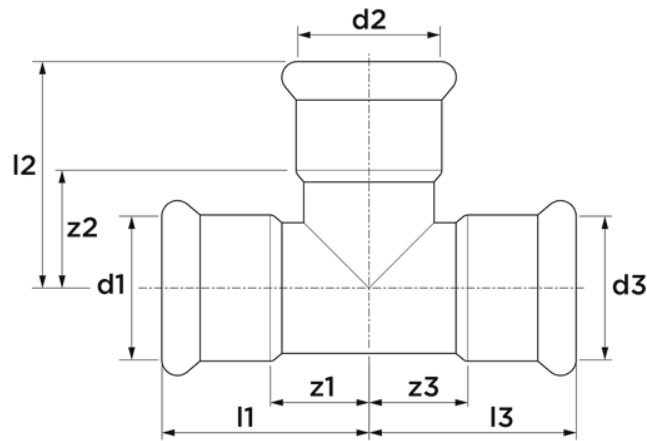
specifications - characteristics

color	silver
materials	stainless steel (Stainless steel 316L (1.4404))
finishing	none
shape	T-piece (90°)
connection type	press (M), Press (M)
sealing	EPDM

specifications - general

product group	fittings
ETIM class	ECO03025 Fitting with 3 connections
HS code	73072980
brand	VSH
series	XPress Stainless
type	R2714
UNSPS	40174607

item number	size	d1	DN1	l1	z1	d2	DN2	l2	z2	d3	DN3	l3	z3
6191350	15	15.0	DN12	35	15	15.0	DN12	39	19	15.0	DN12	35	15
6191372	18	18.0	DN15	37	17	18.0	DN15	41	21	18.0	DN15	37	17
6191405	22	22.0	DN20	40	19	22.0	DN20	44	23	22.0	DN20	40	19
6191449	28	28.0	DN25	45	22	28.0	DN25	49	26	28.0	DN25	45	22
6191493	35	35.0	DN32	51	25	35.0	DN32	55	29	35.0	DN32	51	25
6191537	42	42.0	DN40	60	30	42.0	DN40	62	32	42.0	DN40	60	30
6191581	54	54.0	DN50	71	36	54.0	DN50	72	37	54.0	DN50	71	36
6204319	76.1	76.1	DN65	116	61	76.1	DN65	115	60	76.1	DN65	116	61
6204321	88.9	88.9	DN80	131	68	88.9	DN80	127	64	88.9	DN80	131	68
6204330	108	108.0	DN100	156	79	108.0	DN100	155	78	108.0	DN100	156	79



sustainability

item number	carbon footprint (A1-A3) cradle-to-gate	carbon footprint (A-C) embodied carbon	carbon footprint (A-D) cradle-to-cradle	data source
6191350	0.3kgCO2e	0.31kgCO2e	0.24kgCO2e	EPD
6191372	0.36kgCO2e	0.38kgCO2e	0.29kgCO2e	EPD
6191405	0.48kgCO2e	0.5kgCO2e	0.38kgCO2e	EPD
6191449	0.65kgCO2e	0.68kgCO2e	0.52kgCO2e	EPD
6191493	0.91kgCO2e	0.95kgCO2e	0.73kgCO2e	EPD
6191537	1.24kgCO2e	1.29kgCO2e	0.98kgCO2e	EPD
6191581	1.78kgCO2e	1.85kgCO2e	1.42kgCO2e	EPD
6204319	5.68kgCO2e	5.93kgCO2e	4.53kgCO2e	EPD